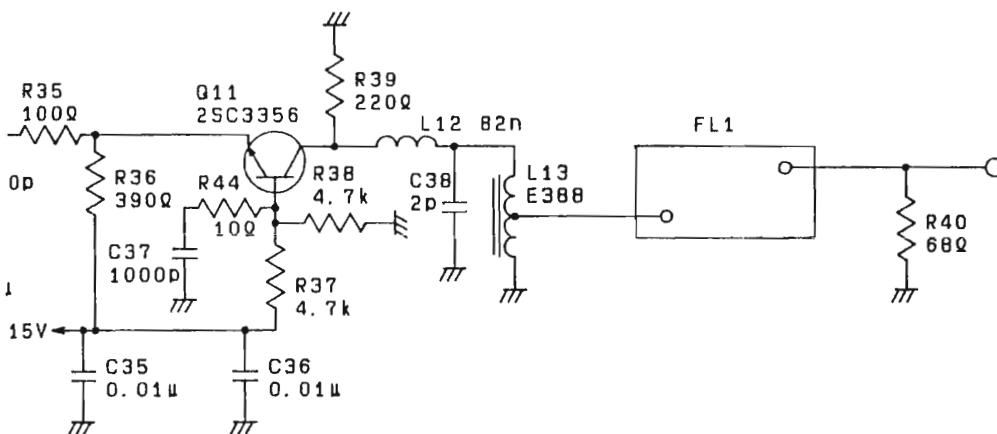
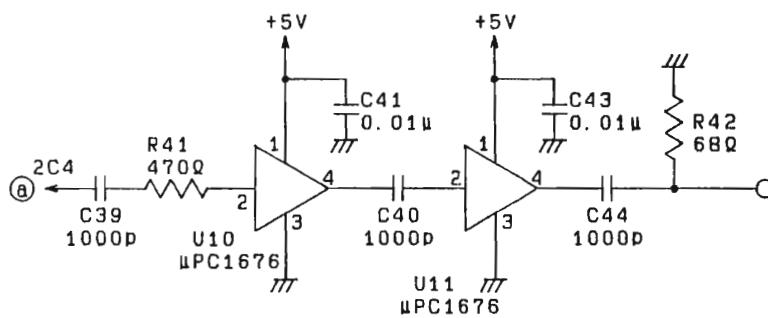


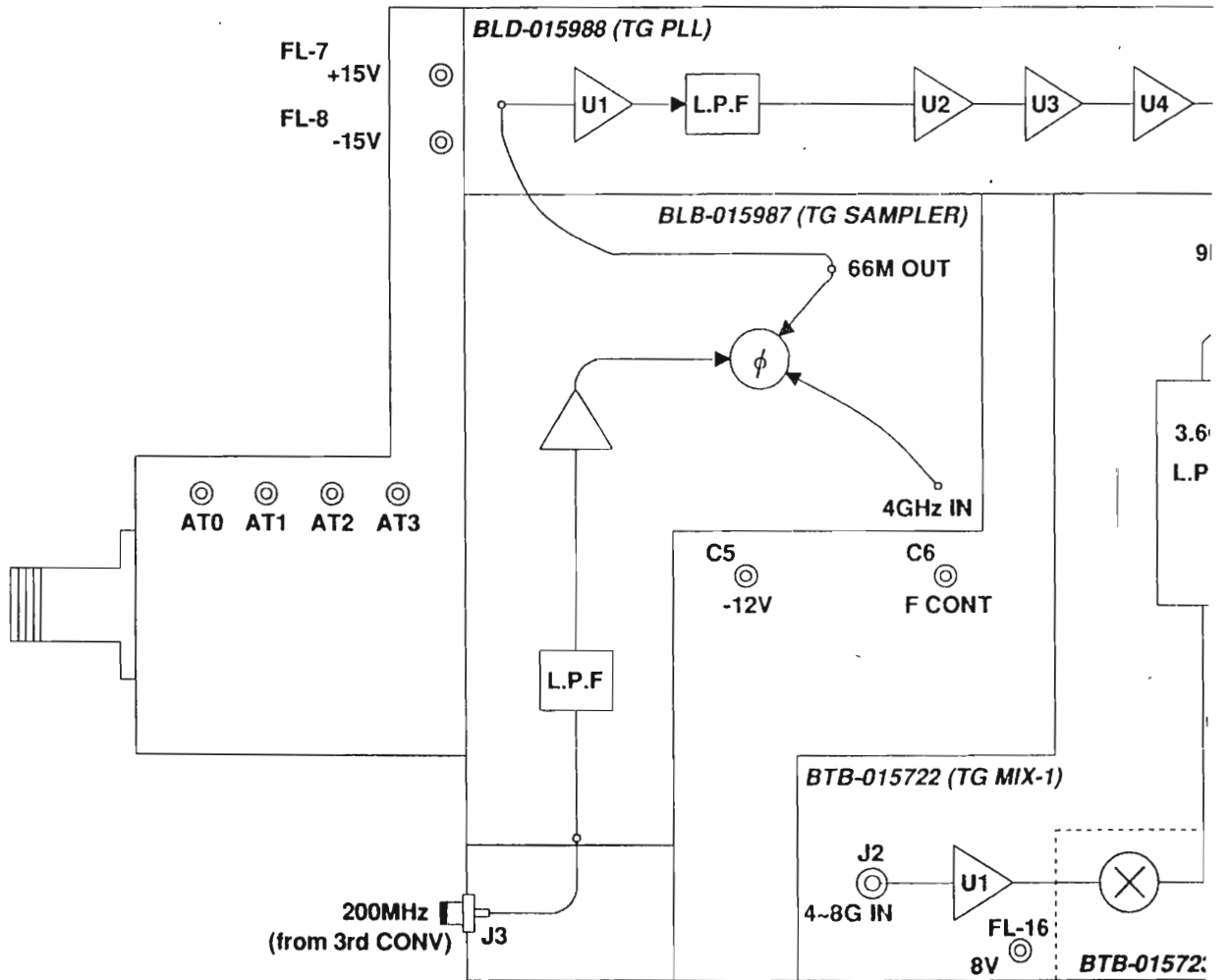
2ND LO
1F1

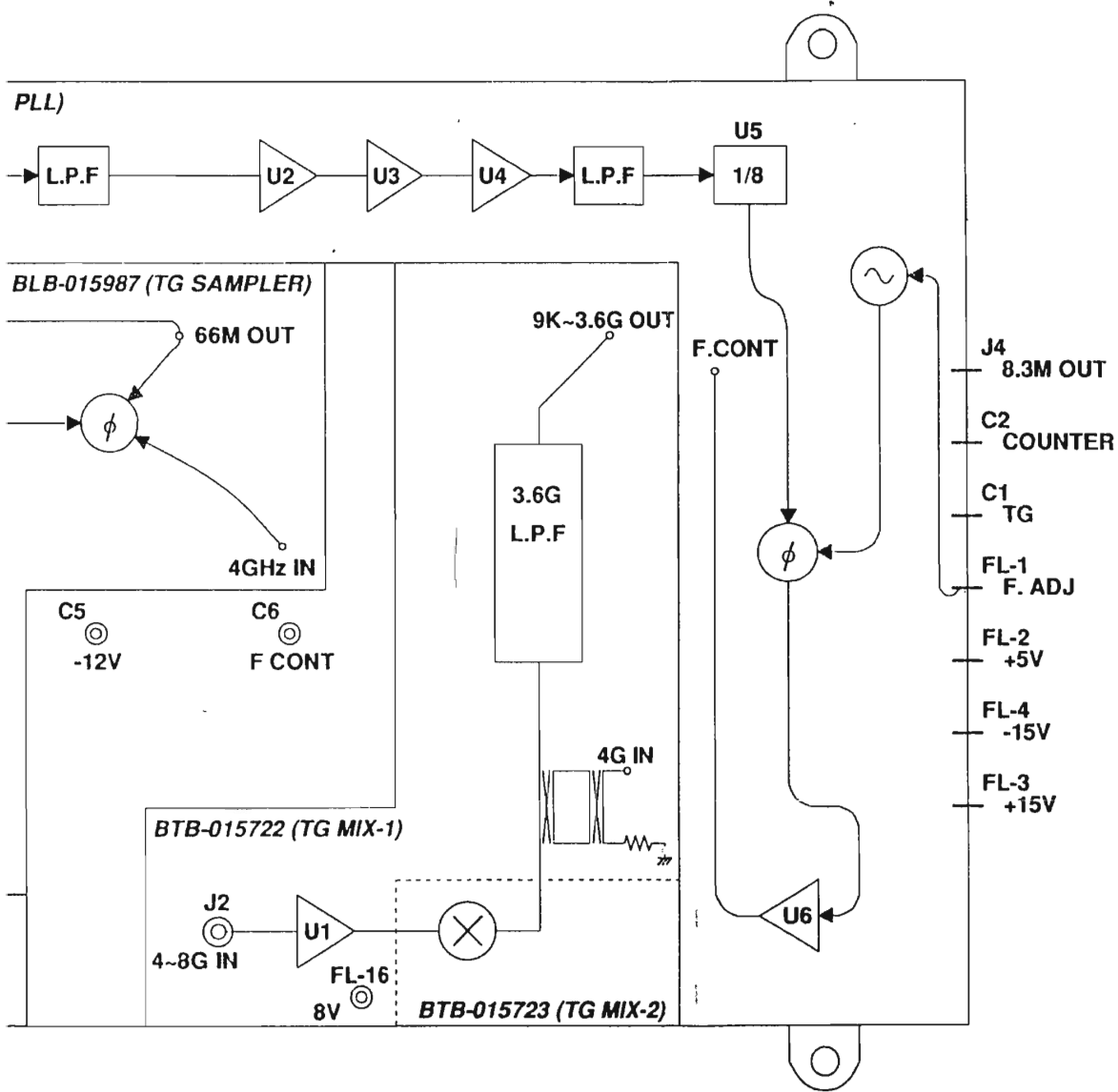


R3261/3361 2ND CONV
BTD-015644 2/2

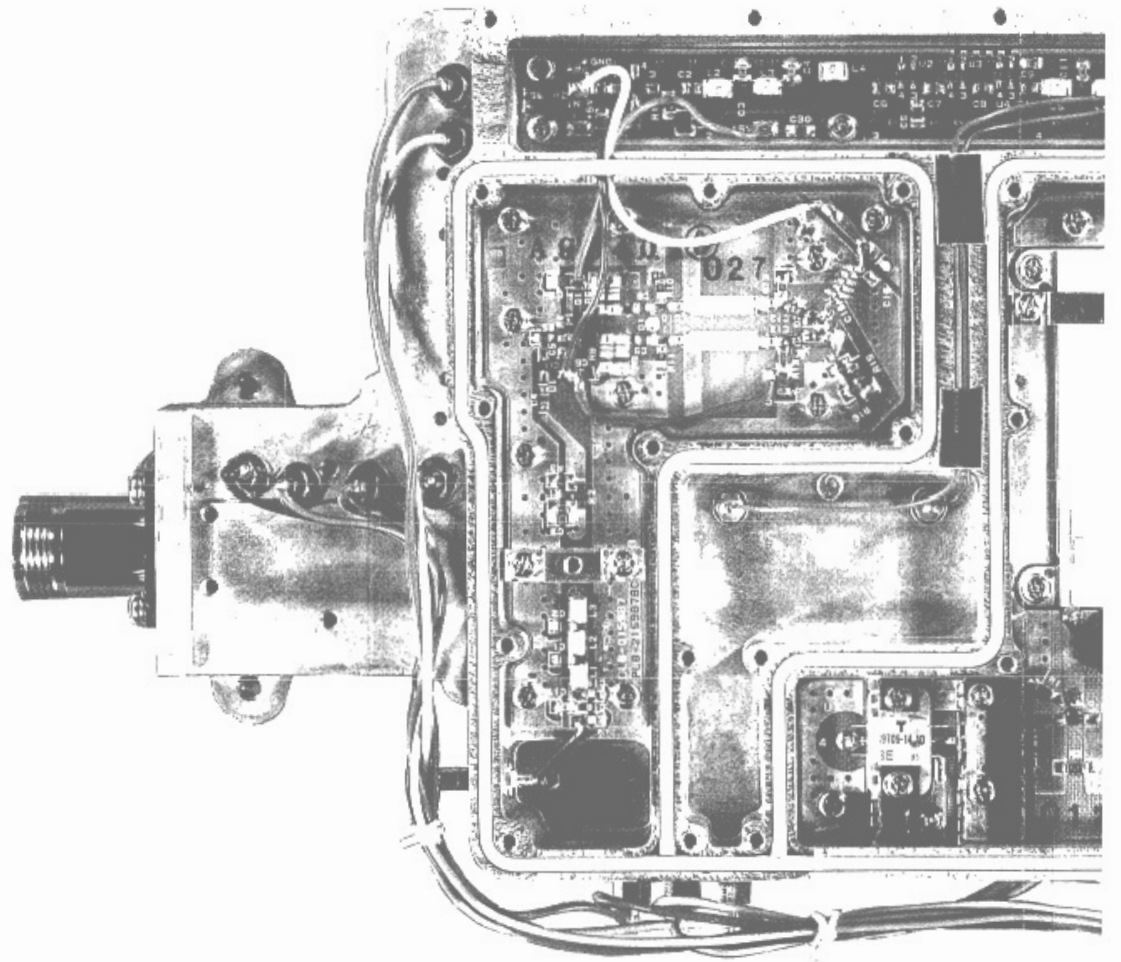
R3261/3361
 TG BLOCK
 WBL-3361TG (1/1)

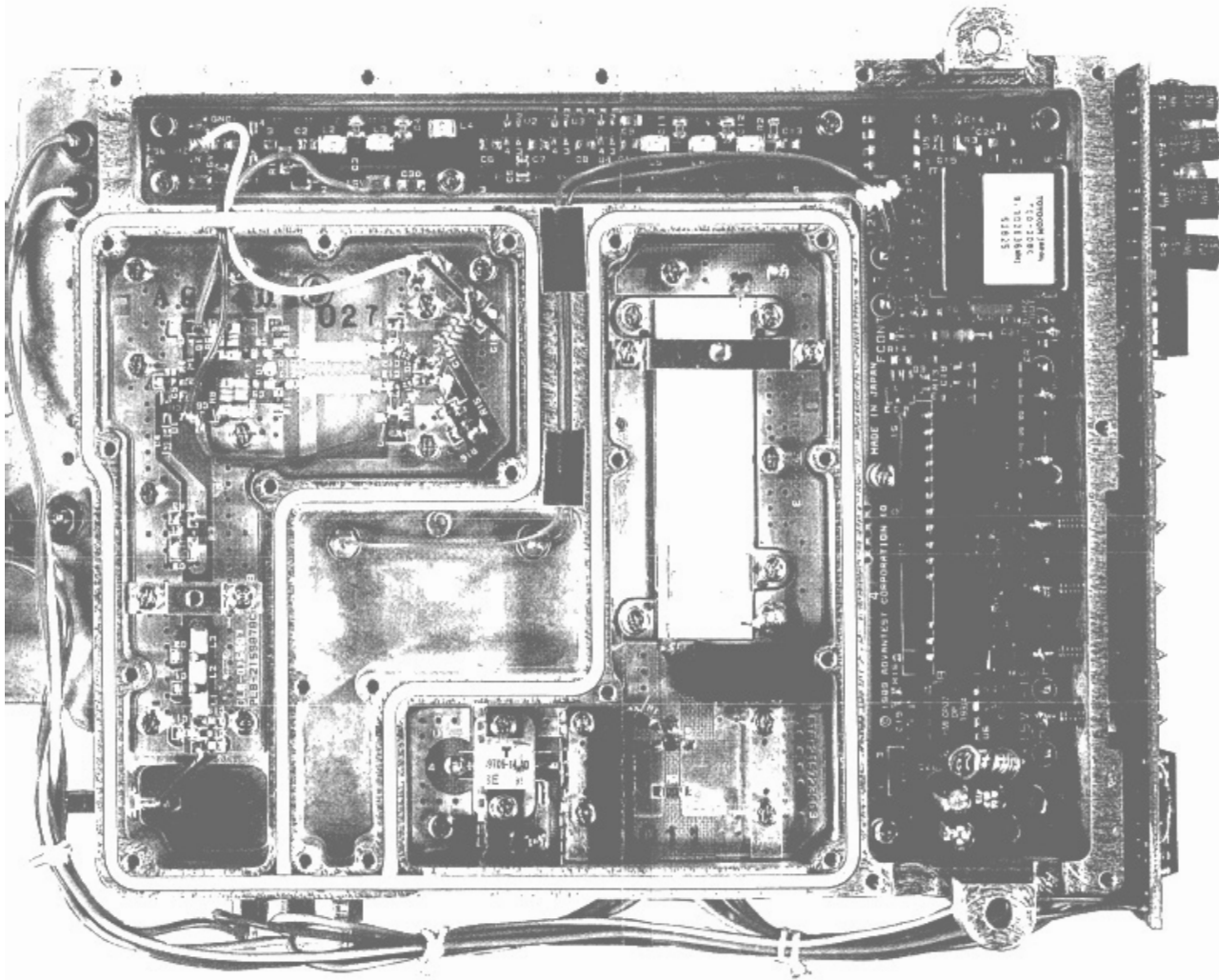
Parts No.	Advantest Stock No.	Description	Note
	BED-015986 BLB-015987 BLC-015680 BLC-015681 BLD-015988		
	BTB-015676 BTB-015722 BTB-015723		
C1	CFT-AQ1000P50V	FXD COAXIAL 1000PF +50%, -20% 50V	
C5	CFT-AQ1000P50V	FXD COAXIAL 1000PF +50%, -20% 50V	
CB1	ZCA-A0142X99	CABLE ASSEMBLY	
FL1	DNF-001052	EMI FILTER	
FL12	DNF-001052	EMI FILTER	
FL16	DNF-001052	EMI FILTER	
J1	JCF-AF001JX09	CONNECTOR N	
J2	JCF-AA001JX01	CONNECTOR SMA	
J3	JCF-AC001JX02	CONNECTOR UM	
J4	JTF-AB001EX04	CONNECTOR BNC	



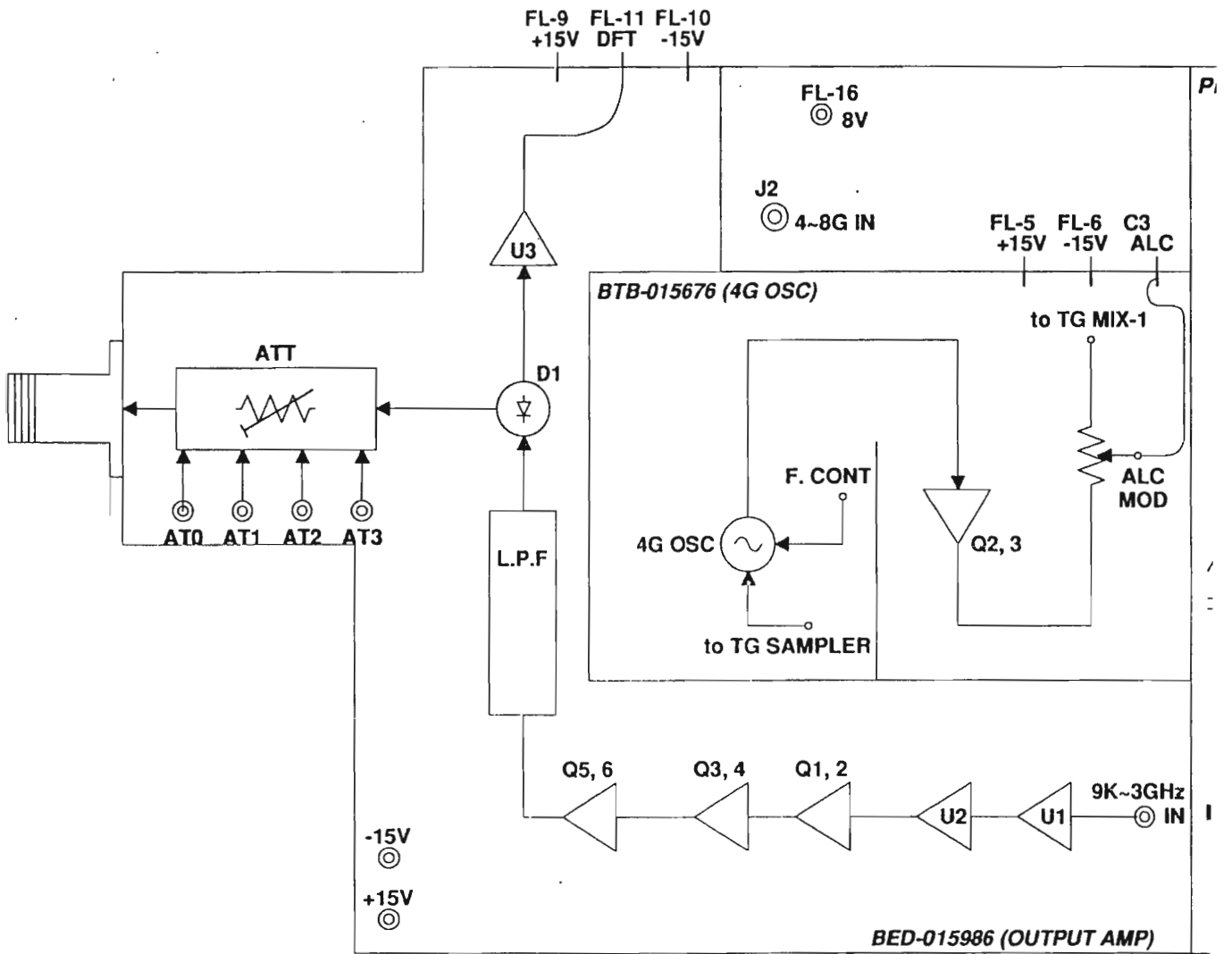


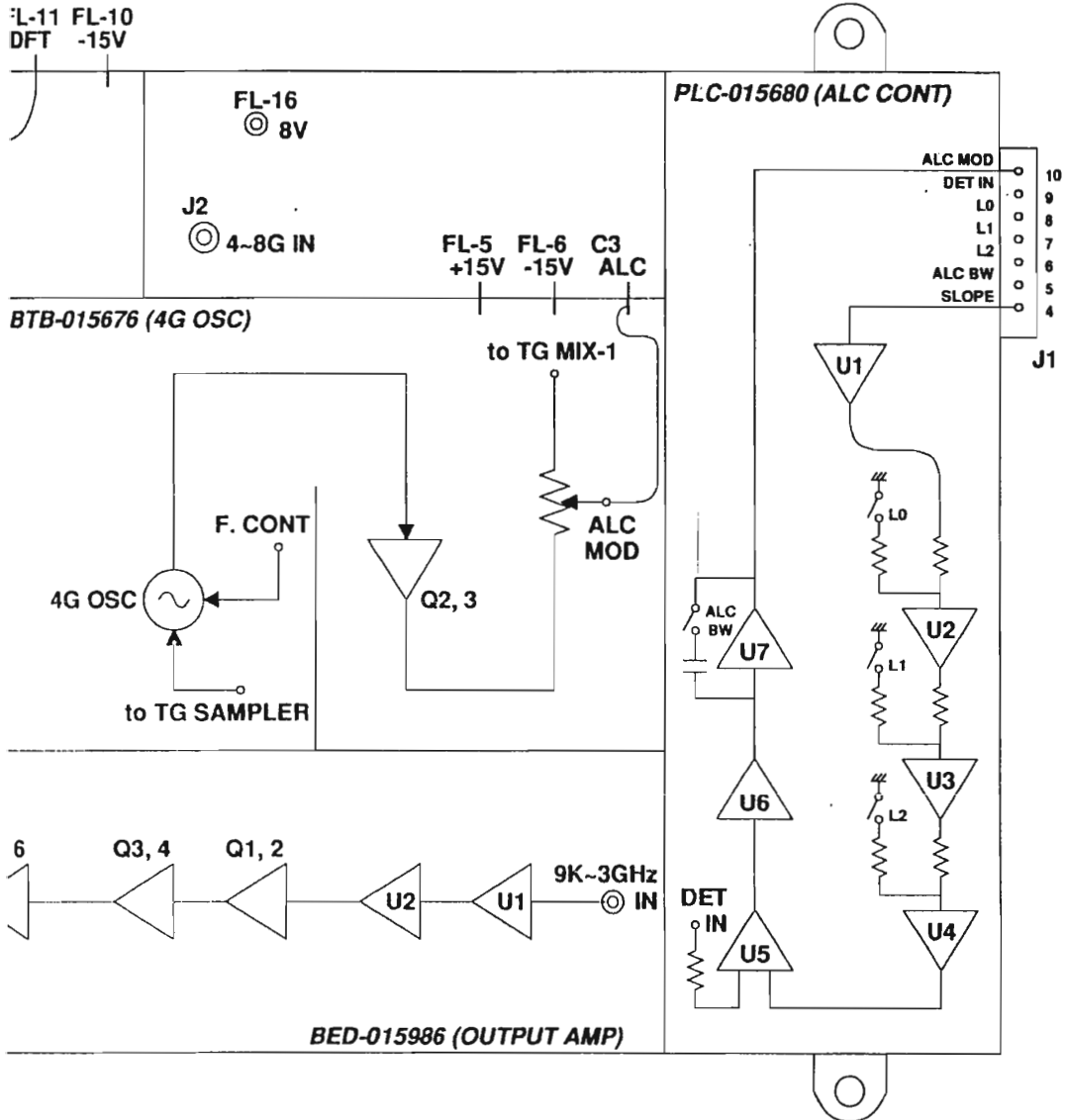
**CIRCUIT LAYOUT
TG BLOCK 1
WBL-3361TG
BLB-015987
BLD-015988
BTB-015722
BTB-015723**



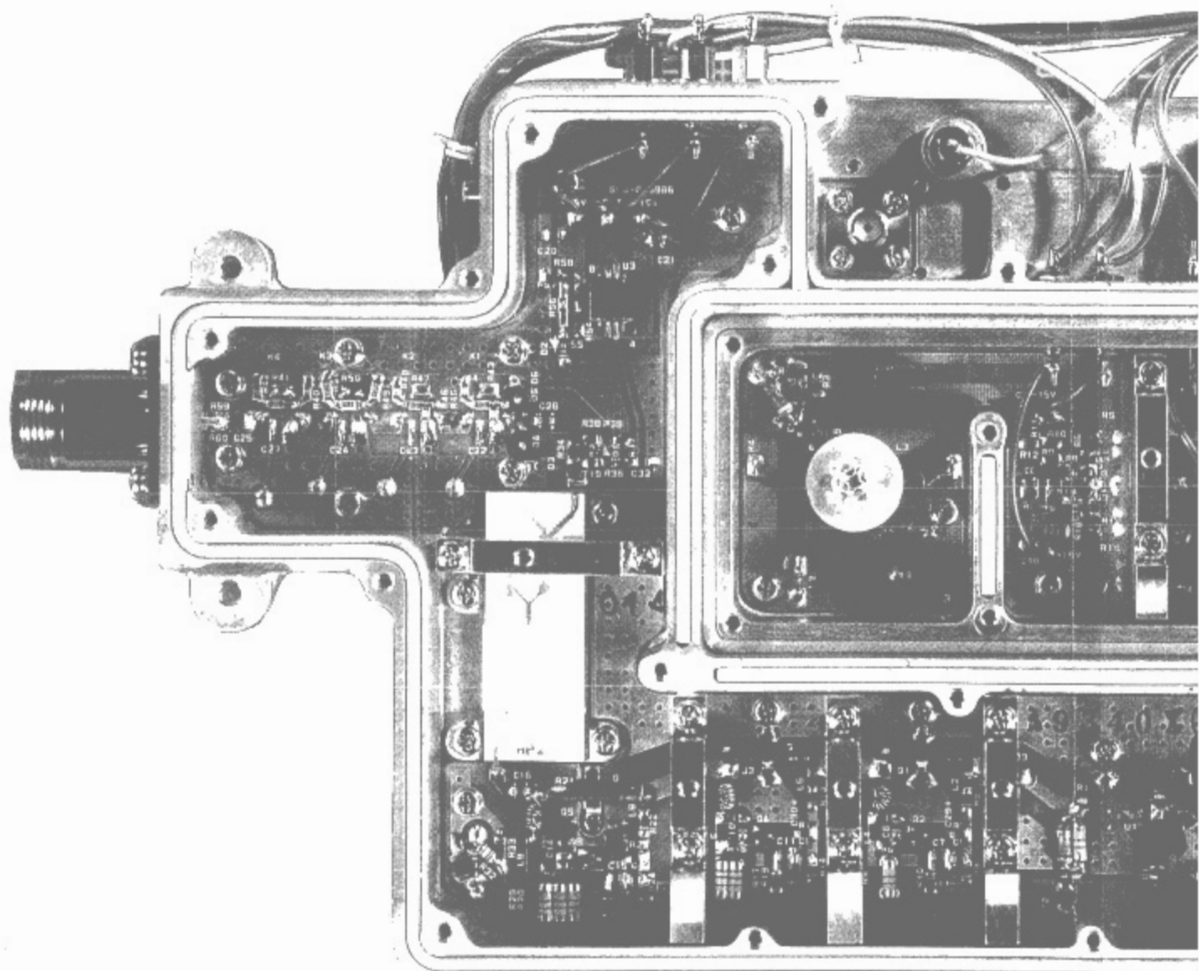


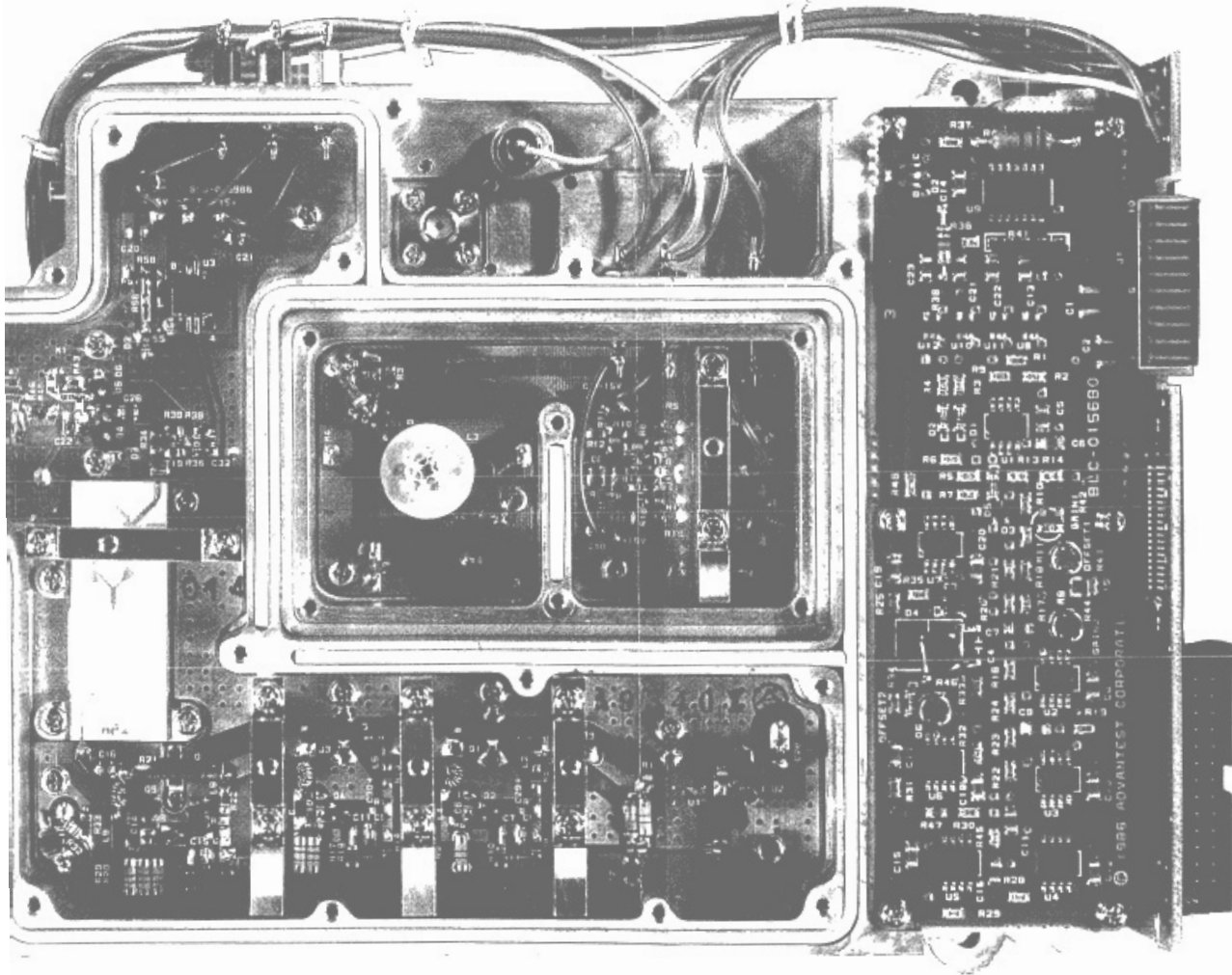
PARTS LOCATION
TG BLOCK 1
WBL-3361TG
BLB-015987
BLD-015988
BTB-015722
BTB-015723



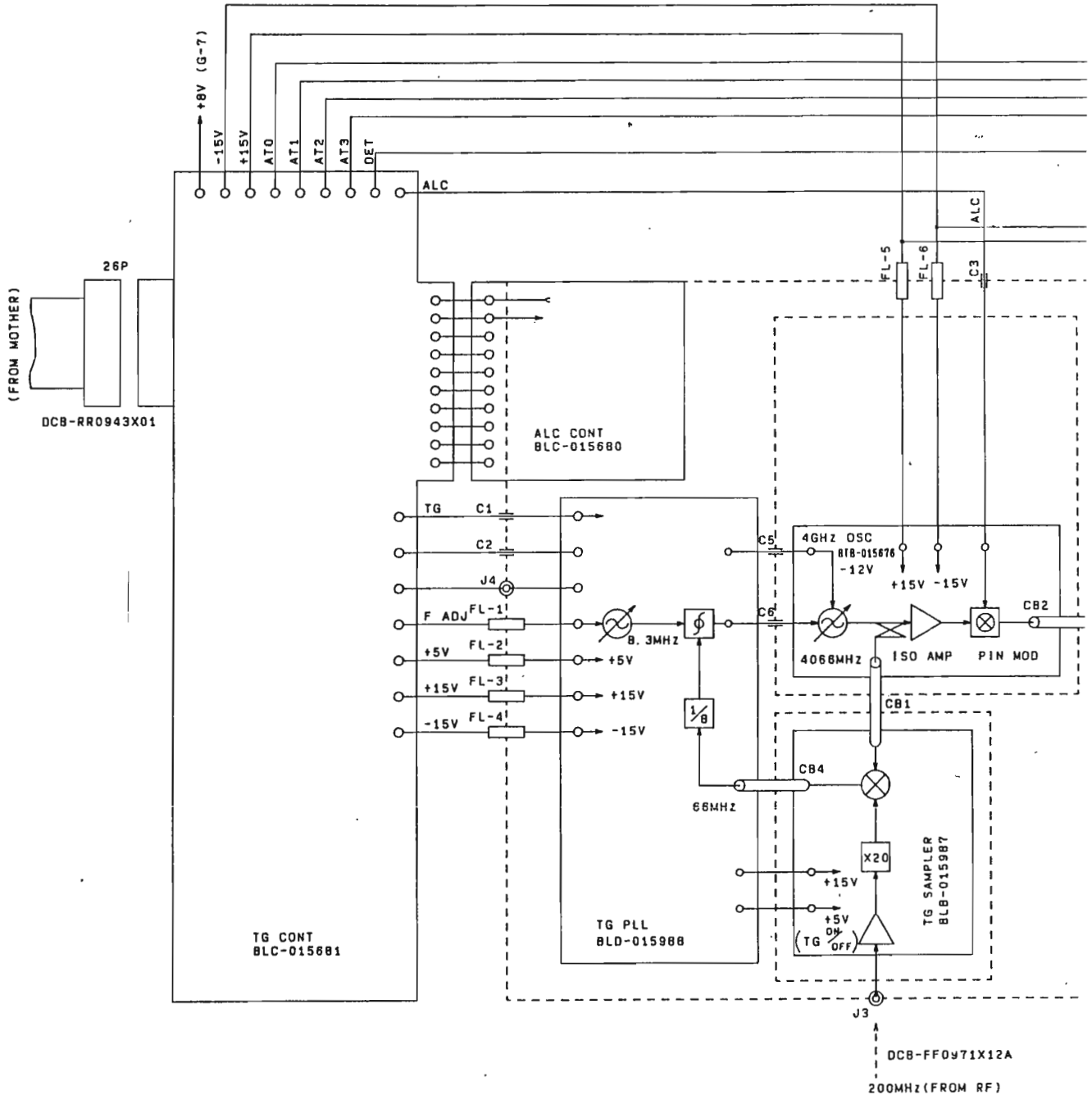


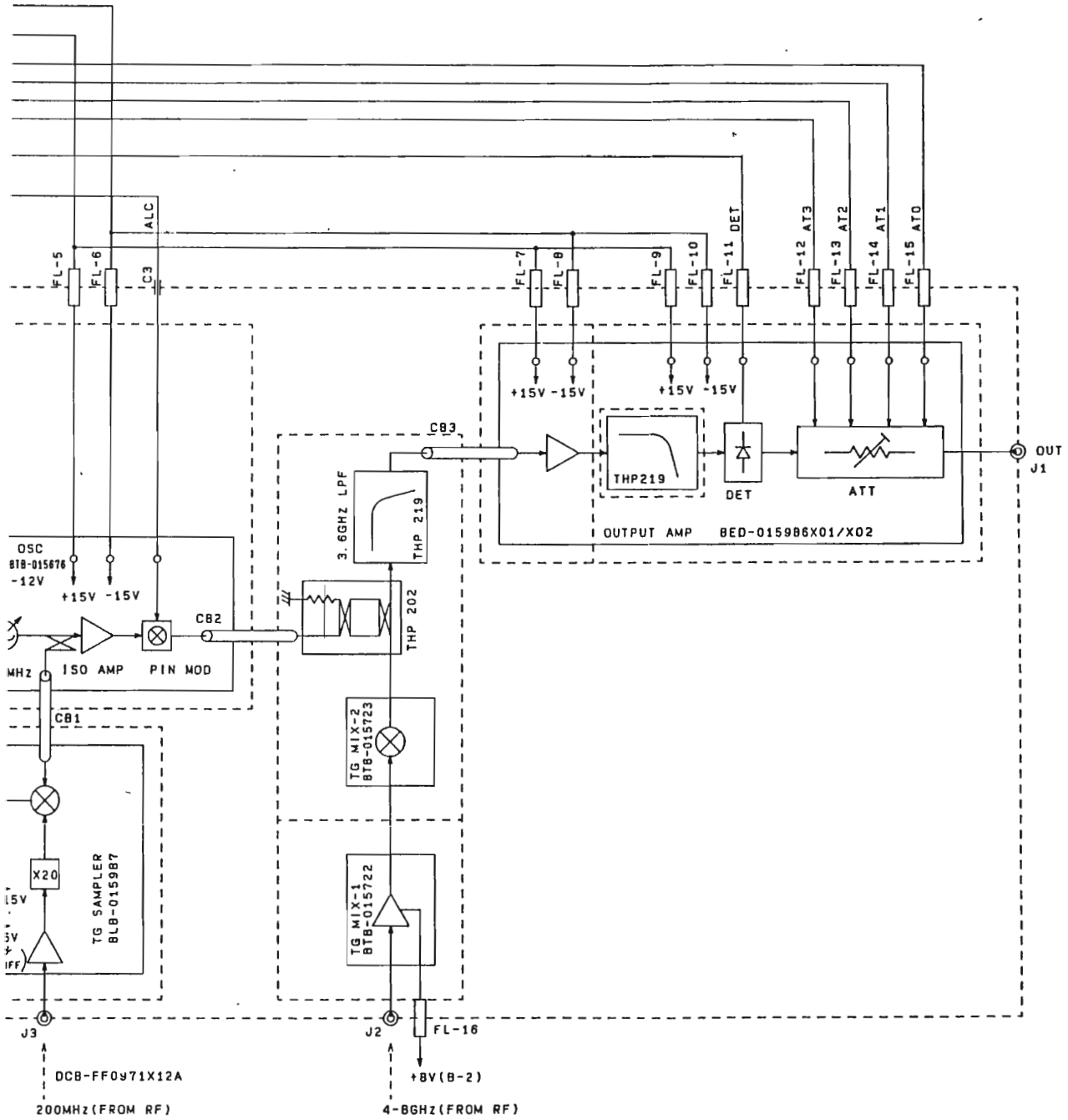
**CIRCUIT LAYOUT
TG BLOCK 2
WBL-3361TG
BED-015986
BLC-015680
BTB-015676**





PARTS LOCATION
TG BLOCK 2
WBL-3361TG
BED-015986
BLC-015680
BTB-015676





**R3361 TG BLOCK
WBL-3361TG/3361ANTG**

**R3261/3361
OUTPUT AMP
BED-015986 (1/3)**

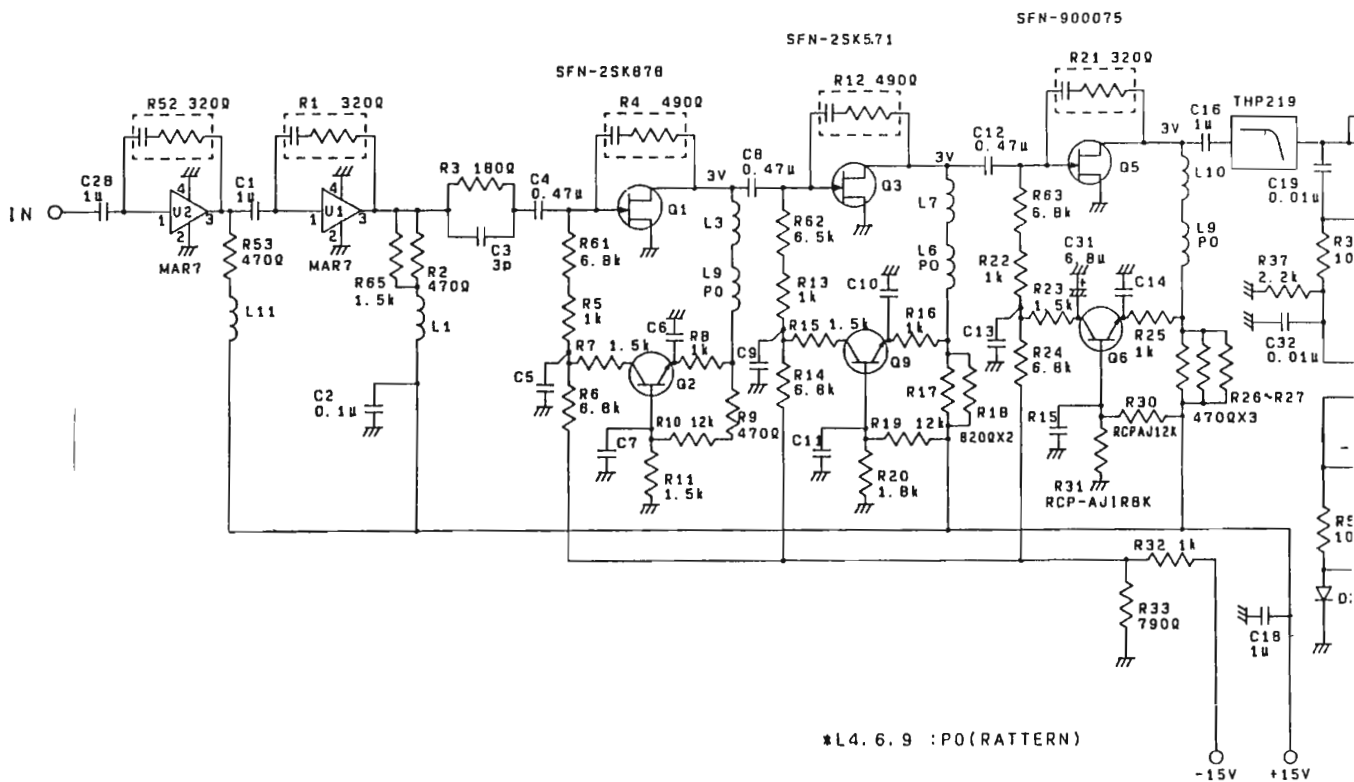
Parts No.	Advantest Stock No.	Description	Note
C1	CCP-TA1U16V-1	FXD CHIP 1 μ F +80%, -20% 16V	
C2	CCP-BBR1U50V	FXD CHIP 0.1 μ F +80%, -20% 50V	
C3	CCP-AT3PR1K	FXD CHIP 3PF \pm 0.5PF 100V	
C4	CCP-ADR47U50V	FXD CHIP 0.47 μ F +80%, -20% 50V	
C5	CCP-BAR01U50V	FXD CHIP 0.01 μ F \pm 10% 50V	
C8	CCP-ADR47U50V	FXD CHIP 0.47 μ F +80%, -20% 50V	
C9	CCP-BAR01U50V	FXD CHIP 0.01 μ F \pm 10% 50V	
C12	CCP-ADR47U50V	FXD CHIP 0.47 μ F +80%, -20% 50V	
C13	CCP-BAR01U50V	FXD CHIP 0.01 μ F \pm 10% 50V	
C16	CCP-TA1U16V-1	FXD CHIP 1 μ F +80%, -20% 16V	
C18	CCP-TF1U50V	FXD CHIP 1 μ F +80%, -20% 50V	
C19	CCP-BAR01U50V	FXD CHIP 0.01 μ F \pm 10% 50V	
C25	CCP-ADR47U50V	FXD CHIP 0.47 μ F +80%, -20% 50V	
C26	CCP-TA1U16V-1	FXD CHIP 1 μ F +80%, -20% 16V	
C27	CCP-BAR01U50V	FXD CHIP 0.01 μ F \pm 10% 50V	
C28	CCP-TA1U16V-1	FXD CHIP 1 μ F +80%, -20% 16V	
C31	CTA-AZ6R8U16V	FXD TA 6.8 μ F \pm 20% 16V	
C32	CCP-BAR01U50V	FXD CHIP 0.01 μ F \pm 10% 50V	
C38	CCP-ADR47U50V	FXD CHIP 0.47 μ F +80%, -20% 50V	
D1	SDS-ND4141	Si SCHOTTKY BARRIER DIODE	
D2	SDS-1SS242	Si SCHOTTKY BARRIER DIODE	
D3	SDS-HSM2838CTR	Si DOUBLE DIODE	
K1	KPL-000350-2	RELAY SWITCH	
K4	KPL-000350-1	RELAY SWITCH	
L1	LCL-A00671	COIL (CUSTOM DEVICE)	
L3	LCL-T00889	COIL (CUSTOM DEVICE)	
L7	LCL-T00889	COIL (CUSTOM DEVICE)	
L10	LCL-T00889	COIL (CUSTOM DEVICE)	
L11	LCL-A00671	COIL (CUSTOM DEVICE)	
Q1	SFN-2SK878	Al Ga As/Ga As N Channel HEMT	
Q2	STP-2SA1162	TRANSISTOR PNP	
Q3	SFN-2SK571	N Channel Ga As MES-TYPE	
Q4	STP-2SA1162	TRANSISTOR PNP	
Q5	SFN-900075	Ca As Power FET	
Q6	STP-2SA1162	TRANSISTOR PNP	
R1	RAY-BRX0003	FXD (CUSTOM DEVICE)	
R2	RMF-BL470QFJ	FXD METAL 470 Ω \pm 1% 1/4W	
R3	RCP-AJ180	FXD CHIP 180 Ω \pm 5% 1/10W	
R4	RAY-BRX0006	FXD (CUSTOM DEVICE)	
R5	RCP-AJ1K	FXD CHIP 1k Ω \pm 5% 1/10W	

**R3261/3361
OUTPUT AMP
BED-015986 (2/3)**

Parts No.	Advantest Stock No.	Description					Note
R6	RCP-AJ6R8K	FXD	CHIP	6.8k Ω	$\pm 5\%$	1/10W	
R7	RCP-AJ1R5K	FXD	CHIP	1.5k Ω	$\pm 5\%$	1/10W	
R8	RCP-AJ1K	FXD	CHIP	1k Ω	$\pm 5\%$	1/10W	
R9	RMF-BL470QFJ	FXD	METAL	470 Ω	$\pm 1\%$	1/4W	
R10	RCP-AJ12K	FXD	CHIP	12k Ω	$\pm 5\%$	1/10W	
R11	RCP-AJ1R5K	FXD	CHIP	1.5k Ω	$\pm 5\%$	1/10W	
R12	RAY-BRX0006	FXD	(CUSTOM DEVICE)				
R13	RCP-AJ1K	FXD	CHIP	1k Ω	$\pm 5\%$	1/10W	
R14	RCP-AJ6R8K	FXD	CHIP	6.8k Ω	$\pm 5\%$	1/10W	
R15	RCP-AJ1R5K	FXD	CHIP	1.5k Ω	$\pm 5\%$	1/10W	
R16	RCP-AJ1K	FXD	CHIP	1k Ω	$\pm 5\%$	1/10W	
R17	RMF-BL820QFJ	FXD	METAL	820 Ω	$\pm 1\%$	1/4W	
R19	RCP-AJ12K	FXD	CHIP	12k Ω	$\pm 5\%$	1/10W	
R20	RCP-AJ1R8K	FXD	CHIP	1.8k Ω	$\pm 5\%$	1/10W	
R21	RAY-BRX0003	FXD	(CUSTOM DEVICE)				
R22	RCP-AJ1K	FXD	CHIP	1k Ω	$\pm 5\%$	1/10W	
R23	RCP-AJ1R5K	FXD	CHIP	1.5k Ω	$\pm 5\%$	1/10W	
R24	RCP-AJ6R8K	FXD	CHIP	6.8k Ω	$\pm 5\%$	1/10W	
R25	RCP-AJ1K	FXD	CHIP	1k Ω	$\pm 5\%$	1/10W	
R26	RMF-BL470QFJ	FXD	METAL	470 Ω	$\pm 1\%$	1/4W	
R30	RCP-AJ12K	FXD	CHIP	12k Ω	$\pm 5\%$	1/10W	
R31	RCP-AJ1R8K	FXD	CHIP	1.8k Ω	$\pm 5\%$	1/10W	
R32	RCB-AG1K	FXD	CHIP	1k Ω	$\pm 5\%$	1/8W	
R33	RCP-AH470	FXD	CHIP	470 Ω	$\pm 5\%$	1/8W	
R34	RCP-AJ22	FXD	CHIP	22 Ω	$\pm 5\%$	1/10W	
R36	RCP-AJ10K	FXD	CHIP	10k Ω	$\pm 5\%$	1/10W	
R37	RCP-AJ2R2K	FXD	CHIP	2.2k Ω	$\pm 5\%$	1/10W	
R38	RCP-AJ51	FXD	CHIP	51 Ω	$\pm 5\%$	1/10W	
R39	RCP-AJ220	FXD	CHIP	220 Ω	$\pm 5\%$	1/10W	
R40	RCP-AN180	FXD	CHIP	180 Ω	$\pm 0.5\%$	1/10W	
R41	RCP-AN30	FXD	CHIP	30 Ω	$\pm 0.5\%$	1/10W	
R42	RCP-AN180	FXD	CHIP	180 Ω	$\pm 0.5\%$	1/10W	
R43	RCP-AN68	FXD	CHIP	68 Ω	$\pm 0.5\%$	1/10W	
R44	RCP-AN130	FXD	CHIP	130 Ω	$\pm 0.5\%$	1/10W	
R45	RCP-AN68	FXD	CHIP	68 Ω	$\pm 0.5\%$	1/10W	
R46	RCP-AN68	FXD	CHIP	68 Ω	$\pm 0.5\%$	1/10W	
R47	RCP-AN130	FXD	CHIP	130 Ω	$\pm 0.5\%$	1/10W	
R48	RCP-AN68	FXD	CHIP	68 Ω	$\pm 0.5\%$	1/10W	
R49	RCP-AM91	FXD	CHIP	91 Ω	$\pm 1\%$	1/8W	
R50	RCP-AM68	FXD	CHIP	68 Ω	$\pm 1\%$	1/8W	

**R3261/3361
OUTPUT AMP
BED-015986 (3/3)**

Parts No.	Advantest Stock No.	Description	Note
R51	RCP-AM91	FXD CHIP 91 Ω \pm 1% 1/8W	
R52	RAY-BRX0003	FXD (CUSTOM DEVICE)	
R53	RMF-BL470QFJ	FXD METAL 470 Ω \pm 1% 1/4W	
R54	RCP-AJ2R2K	FXD CHIP 2.2k Ω \pm 5% 1/10W	
R55	RCP-AJ10K	FXD CHIP 10k Ω \pm 5% 1/10W	
R56	RCP-AN200K-1	FXD CHIP 200k Ω \pm 0.5% 1/10W	
R57	RCP-AJ1K	FXD CHIP 1k Ω \pm 5% 1/10W	
R58	RCP-AJ15K	FXD CHIP 15k Ω \pm 5% 1/10W	
R61	RCP-AJ6R8K	FXD CHIP 6.8k Ω \pm 5% 1/10W	
R65	RCB-AH1R5K-1	FXD CAR 1.5k Ω \pm 5% 1/8W	
U1	SIA-MAR7	MONOLITHIC AMPLIFER 2GHz	
U3	SIA-OP07PS	OP AMP ULTRA-LOW OFFSET	

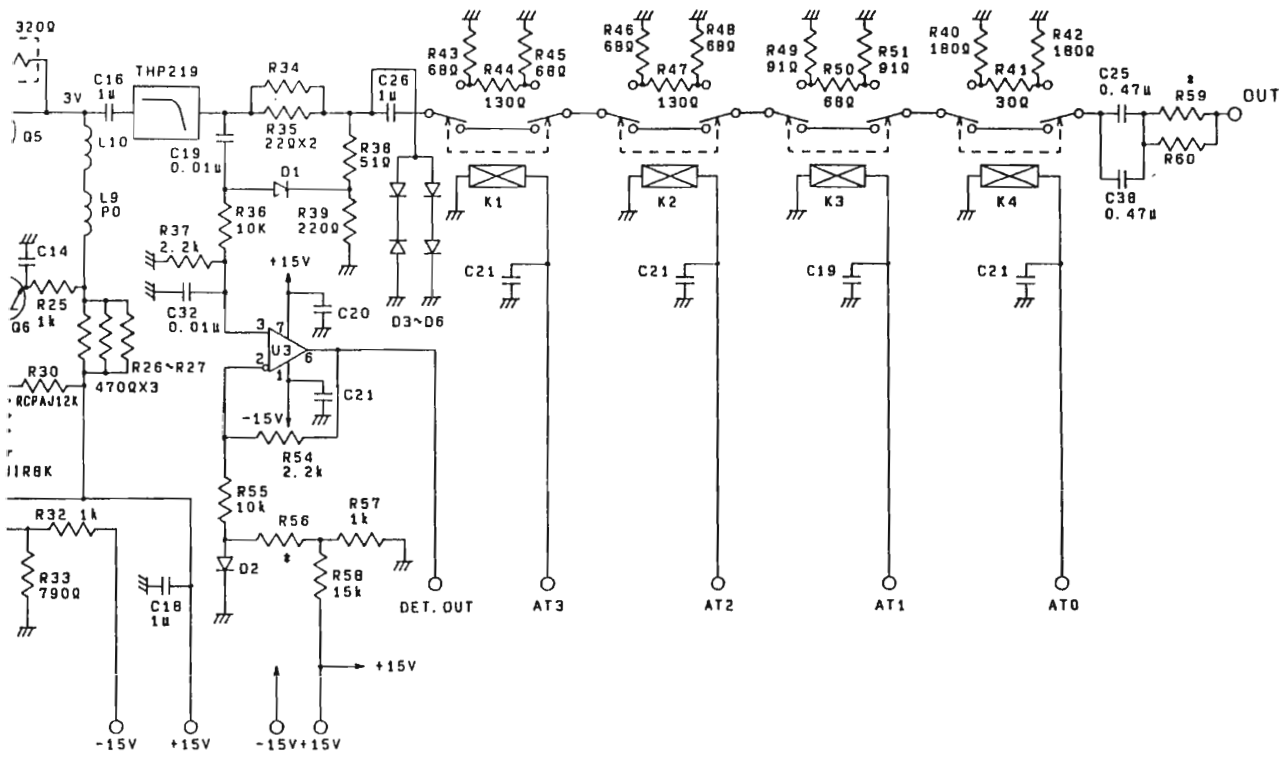


C 5~7 : CCP-ACR01U50V
 9~11
 13~15
 19~21

U 1, 2 SIA-MAR7
 U 3 SIA-OP07PS
 U 2, 4, 6 STP-2SA1162

D 1 SDS-ND4141
 D 2 SDS-1SS242

K 1~4 KRL-000350-2



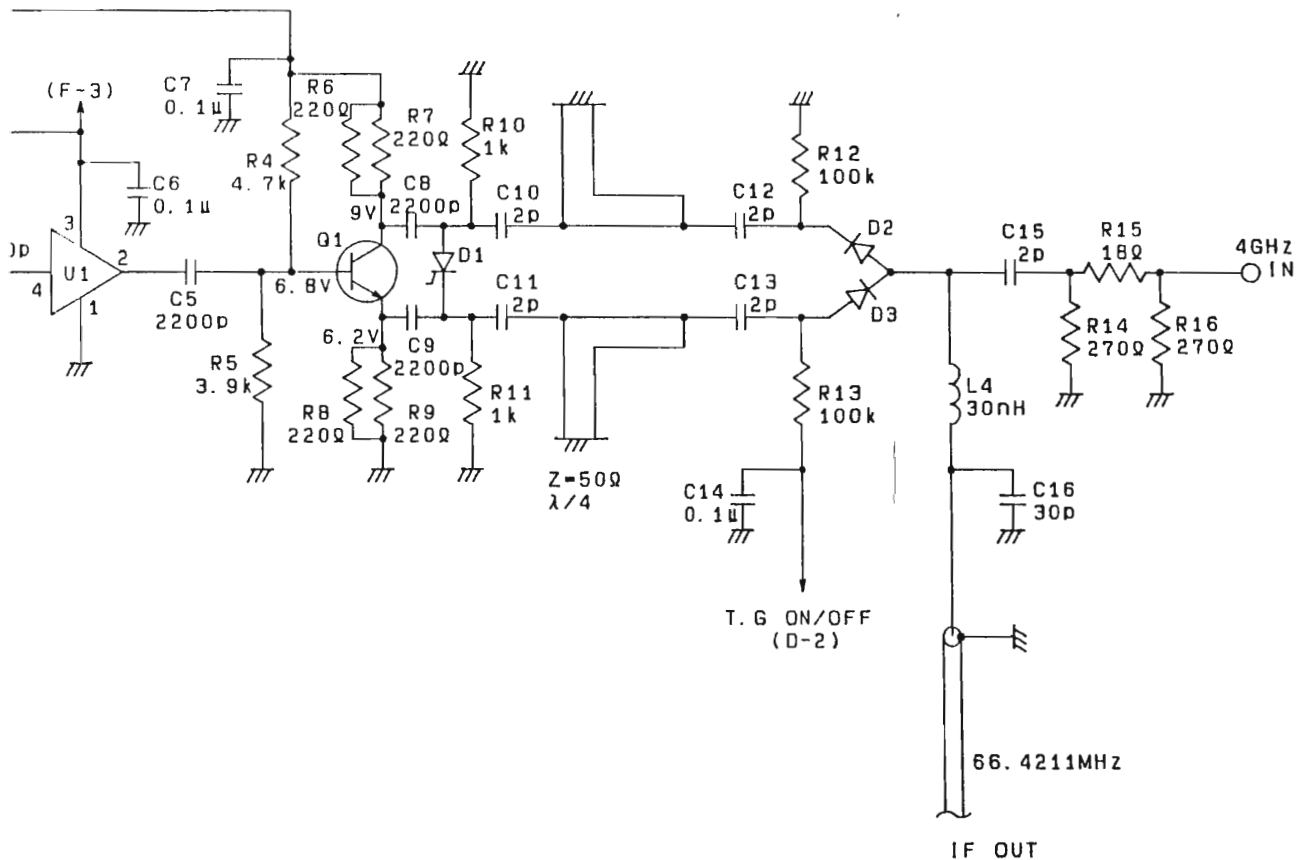
* R59, R60
 ONLY : BED-015986X02

* R56
 200k : X01
 300k : X02

**R3361 OUTPUT AMP
 BED-015986**

**R3261/3361
TG SAMPLER
BLB-015987 (1/1)**

Parts No.	Advantest Stock No.	Description	Note
C1	CCP-AT24PR1K	FXD CHIP 24PF ±5% 100V	
C3	CCP-AT12PR1K	FXD CHIP 12PF ±10% 100V	
C4	CCP-BA2200P50V	FXD CHIP 2200PF ±20% 50V	
C6	CCP-BBR1U50V	FXD CHIP 0.1µF +80%,-20% 50V	
C8	CCP-BA2200P50V	FXD CHIP 2200PF ±20% 50V	
C10	CCP-BA2P50V	FXD CHIP 2PF ±0.25PF 50V	
C14	CCP-BBR1U50V	FXD CHIP 0.1µF +80%,-20% 50V	
C15	CCP-BA2P50V	FXD CHIP 2PF ±0.25PF 50V	
C16	CCP-AT30PR1K	FXD CHIP 30PF ±5% 100V	
C17	CCP-BA2P50V	FXD CHIP 2PF ±0.25PF 50V	
C18	CCP-BA5P50V	FXD CHIP 5PF ±0.5PF 50V	
D1	SDS-1SV107	Si SNAP-OFF DIODE	
D2	SDS-1SS242	Si SCHOTTKY BARRIER DIODE	
L1	LCL-E00936	COIL CHIP 47nH ±20%	
L2	LCL-E00937	COIL CHIP 65nH ±20%	
L3	LCL-E00936	COIL CHIP 47nH ±20%	
L4	LCL-A00777	COIL (CUSTOM DEVICE)	
Q1	STN-2SC3357	TRANSISTOR NPN	
R1	RCP-AJ270	FXD CHIP 270Ω ±5% 1/10W	
R2	RCP-AJ18	FXD CHIP 18Ω ±5% 1/10W	
R3	RCP-AJ270	FXD CHIP 270Ω ±5% 1/10W	
R4	RCP-AJ4R7K	FXD CHIP 4.7kΩ ±5% 1/10W	
R6	RCB-AQ220	FXD CAR 220Ω ±5% 1/4W	
R10	RCP-AJ1K	FXD CHIP 1kΩ ±5% 1/10W	
R12	RCP-AJ100K	FXD CHIP 100kΩ ±5% 1/10W	
R14	RCP-AJ270	FXD CHIP 270Ω ±5% 1/10W	
R15	RCP-AJ18	FXD CHIP 18Ω ±5% 1/10W	
R16	RCP-AJ270	FXD CHIP 270Ω ±5% 1/10W	
U1	SIA-1675	Bipolar Analog IC 1GHz Amp	



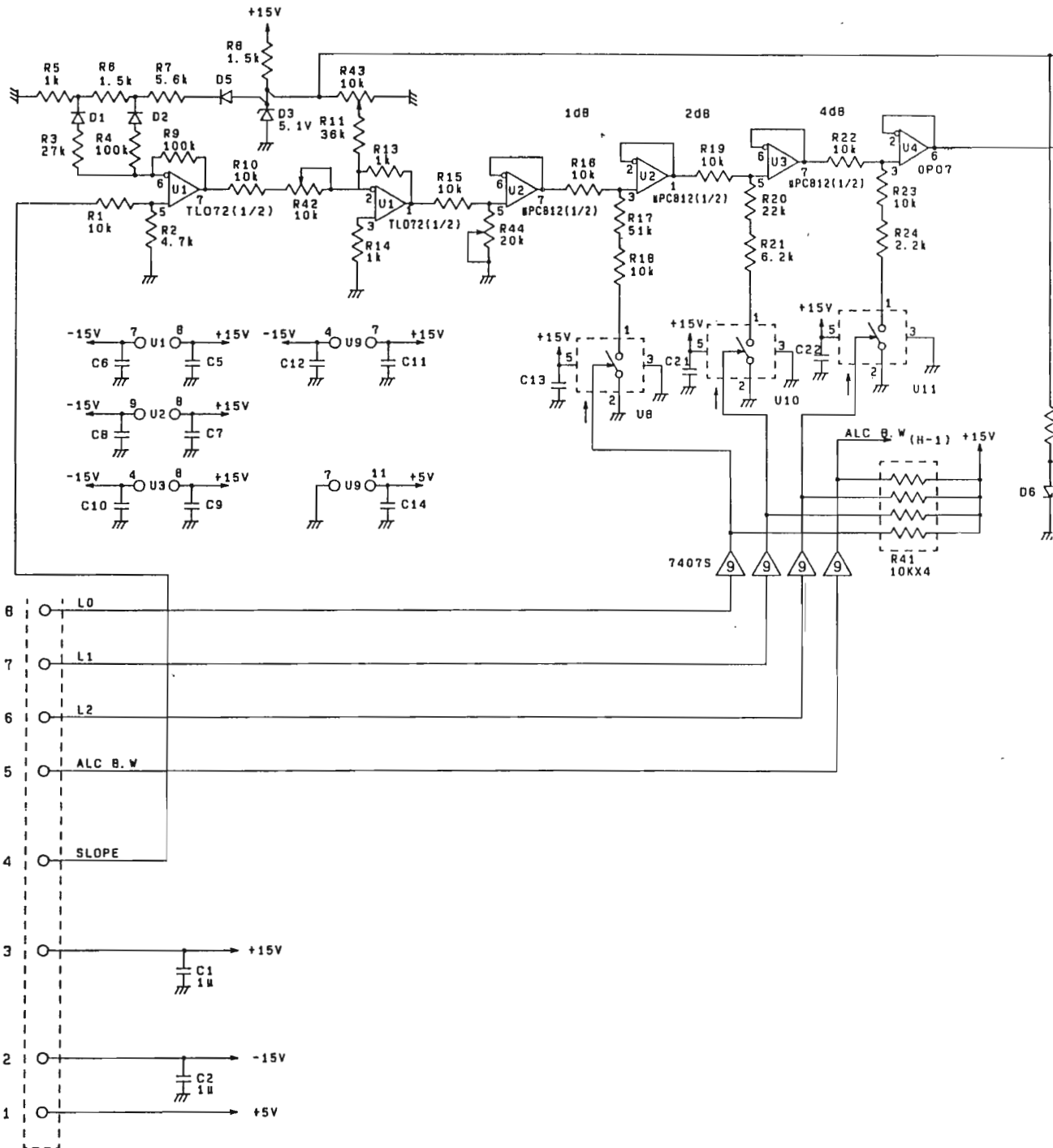
R3361 TG SAMPLER
BLB-015987

R3261/3361
ALC CONT
BLQ-015680 (1/2)

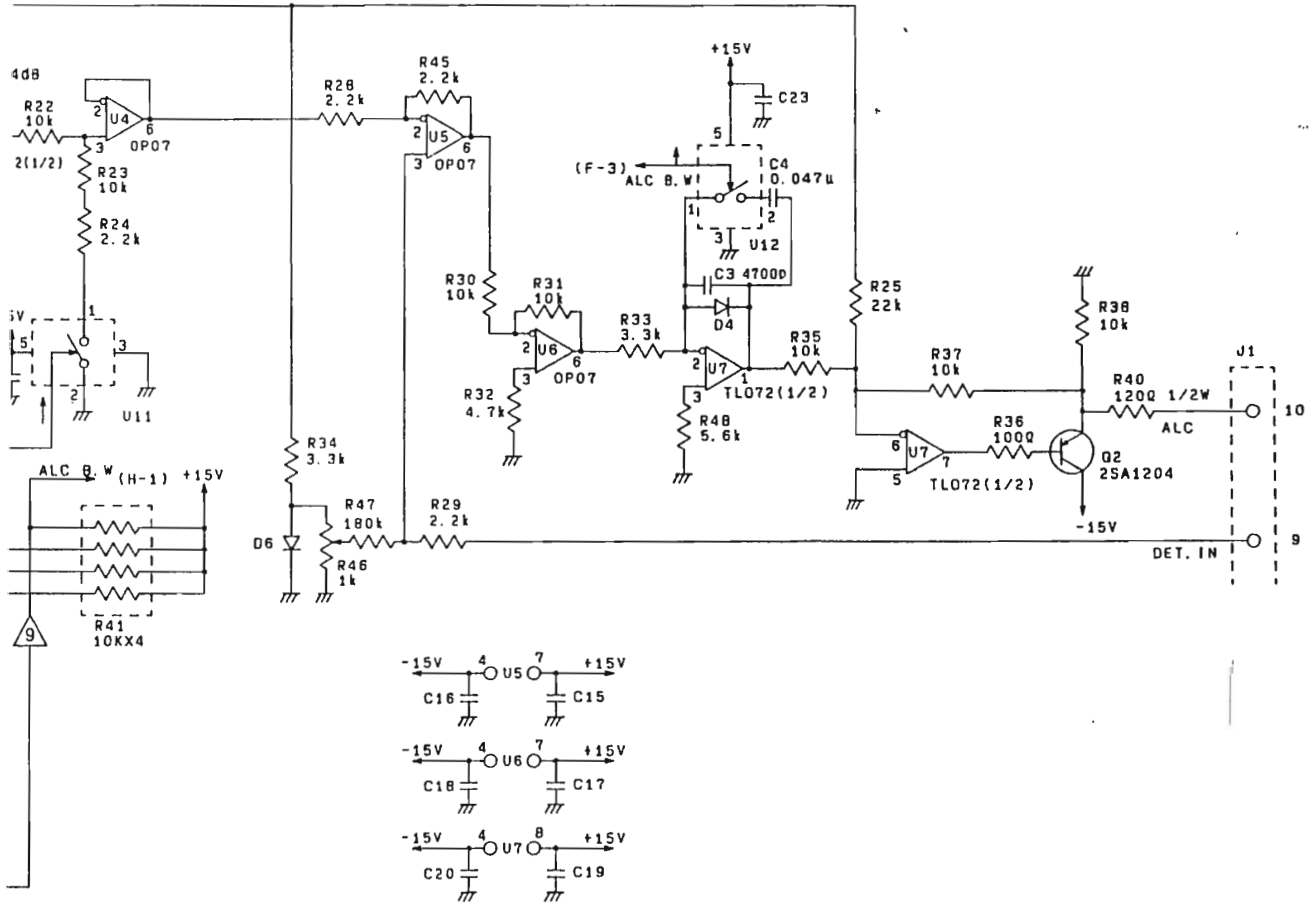
Parts No.	Advantest Stock No.	Description					Note
C1-2	CCP-AE1U50V	FXD	CHIP	1 μ F	+80%,-20%	50V	
C3	CFM-AS3300P50V	FXD	FILM	3300PF	\pm 10%	50V	
C4	CFM-ASR047U50V	FXD	FILM	0.047 μ F	\pm 10%	50V	
C5-20	CCP-BBR1U50V	FXD	CHIP	0.1 μ F	+80%,-20%	50V	
C21-23	CCP-BBR1U50V	FXD	CHIP	0.1 μ F	+80%,-20%	50V	
D1	SDS-LS955	DIODE SI					
D2	SDS-LS955	DIODE SI					
D3	SDZ-MO51	ZENER DIODE					
D4-5	SDS-LS955	DIODE SI					
D6	SDS-LS955	DIODE SI					
J1	JCP-AR010JX02	CONNECTOR					
Q2	STP-2SA1204	TRANSISTOR PNP					
R1	RCP-AN10K	FXD	CHIP	10K Ω	\pm 5%	1/10W	
R2	RCP-AN4R7K	FXD	CHIP	4.7K Ω	\pm 5%	1/10W	
R3	RCP-AN56K	FXD	CHIP	50K Ω	\pm 5%	1/10W	
R4	RCP-AN36K	FXD	CHIP	36K Ω	\pm 5%	1/10W	
R5	RCP-AN1K	FXD	CHIP	1K Ω	\pm 5%	1/10W	
R6	RCP-AN1R5K	FXD	CHIP	1.5K Ω	\pm 5%	1/10W	
R7	RCP-AN6R2K	FXD	CHIP	6.2K Ω	\pm 5%	1/10W	
R8	RCP-AH1R5K	FXD	CHIP	1.5K Ω	\pm 5%	1/10W	
R9	RCP-AN100K	FXD	CHIP	100K Ω	\pm 5%	1/10W	
R10	RCP-AN10K	FXD	CHIP	10K Ω	\pm 5%	1/10W	
R11	RCP-AN36K	FXD	CHIP	36K Ω	\pm 5%	1/10W	
R13-14	RCP-AN1K	FXD	CHIP	1K Ω	\pm 5%	1/10W	
R15-16	RCP-AN10K	FXD	CHIP	10K Ω	\pm 5%	1/10W	
R17	RCP-AN51K	FXD	CHIP	51K Ω	\pm 5%	1/10W	
R18	RCP-AN10K	FXD	CHIP	10K Ω	\pm 5%	1/10W	
R19	RCP-AN10K	FXD	CHIP	10K Ω	\pm 5%	1/10W	
R20	RCP-AN22K	FXD	CHIP	22K Ω	\pm 5%	1/10W	
R21	RCP-AN6R2K	FXD	CHIP	6.2K Ω	\pm 5%	1/10W	
R22-23	RCP-AN10K	FXD	CHIP	10K Ω	\pm 5%	1/10W	
R24	RCP-AN3R6K	FXD	CHIP	3.6K Ω	\pm 5%	1/10W	
R25	RCP-AN22K	FXD	CHIP	22K Ω	\pm 5%	1/10W	
R28-29	RCP-AN2R2K	FXD	CHIP	2.2K Ω	\pm 5%	1/10W	
R30-31	RCP-AN10K	FXD	CHIP	10K Ω	\pm 5%	1/10W	
R32	RCP-AN4R7K	FXD	CHIP	4.7K Ω	\pm 5%	1/10W	
R33	RCP-AN2R2K	FXD	CHIP	2.2K Ω	\pm 5%	1/10W	
R34	RCP-AN3R3K	FXD	CHIP	3.3K Ω	\pm 5%	1/10W	
R35	RCP-AN10K	FXD	CHIP	10K Ω	\pm 5%	1/10W	
R36	RCP-AN100	FXD	CHIP	100 Ω	\pm 5%	1/10W	
R37	RCP-AN10K	FXD	CHIP	10K Ω	\pm 5%	1/10W	
R38	RCB-AH10K	FXD	CAR	10K Ω	\pm 5%	1/4W	
R40	RCB-AK120	FXD	CAR	120 Ω	\pm 5%	1/2W	
R41	RAY-AL10K4	FXD	RA	10K Ω \times 4	\pm 5%	1/8W	
R42	RCP-AN10K	FXD	CHIP	10K Ω	\pm 5%	1/10W	
R43	RVR-DF10K	VAR		10K Ω	\pm 20%	1/2W	
R44	RVR-DF20K	VAR		20K Ω	\pm 20%	1/2W	
R45	RCP-AN2R2K	FXD	CHIP	2.2K Ω	\pm 5%	1/10W	
R46	RVR-DF1K	VAR		1K Ω	\pm 20%	1/2W	
R47	RCP-AN22K	FXD	CHIP	22K Ω	\pm 5%	1/10W	
R48	RCP-AN5R6K	FXD	CHIP	5.6K Ω	\pm 5%	1/10W	

R3261/3361
 ALC CONT
 BLQ-015680 (2/2)

Part No.	Advantest Stock No.	Description	Note
U1-3 U4-5 U6	SIA-TL072CPS SIA-OP07PS SIA-OP07PS	OP AMP DUAL LOW NOISE OP AMP LOW OFFSET OP AMP LOW OFFSET	
U7 U8 U9 U10-12	SIA-TL072CPS SIA-TC4S66F SIT-7407S SIA-TC4S66F	OP AMP DUAL LOW NOISE ANALOG SWITCHES HEX BUFFER (OPEN COLLECTOR) ANALOG SWITCHES	



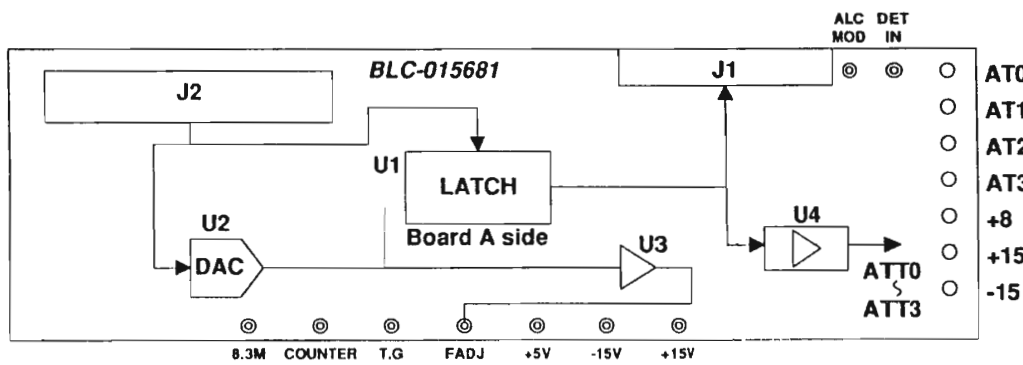
C 5~23	CCP-BBR1U50V
U 9	SIT-7407S
D 3	SDS-M051



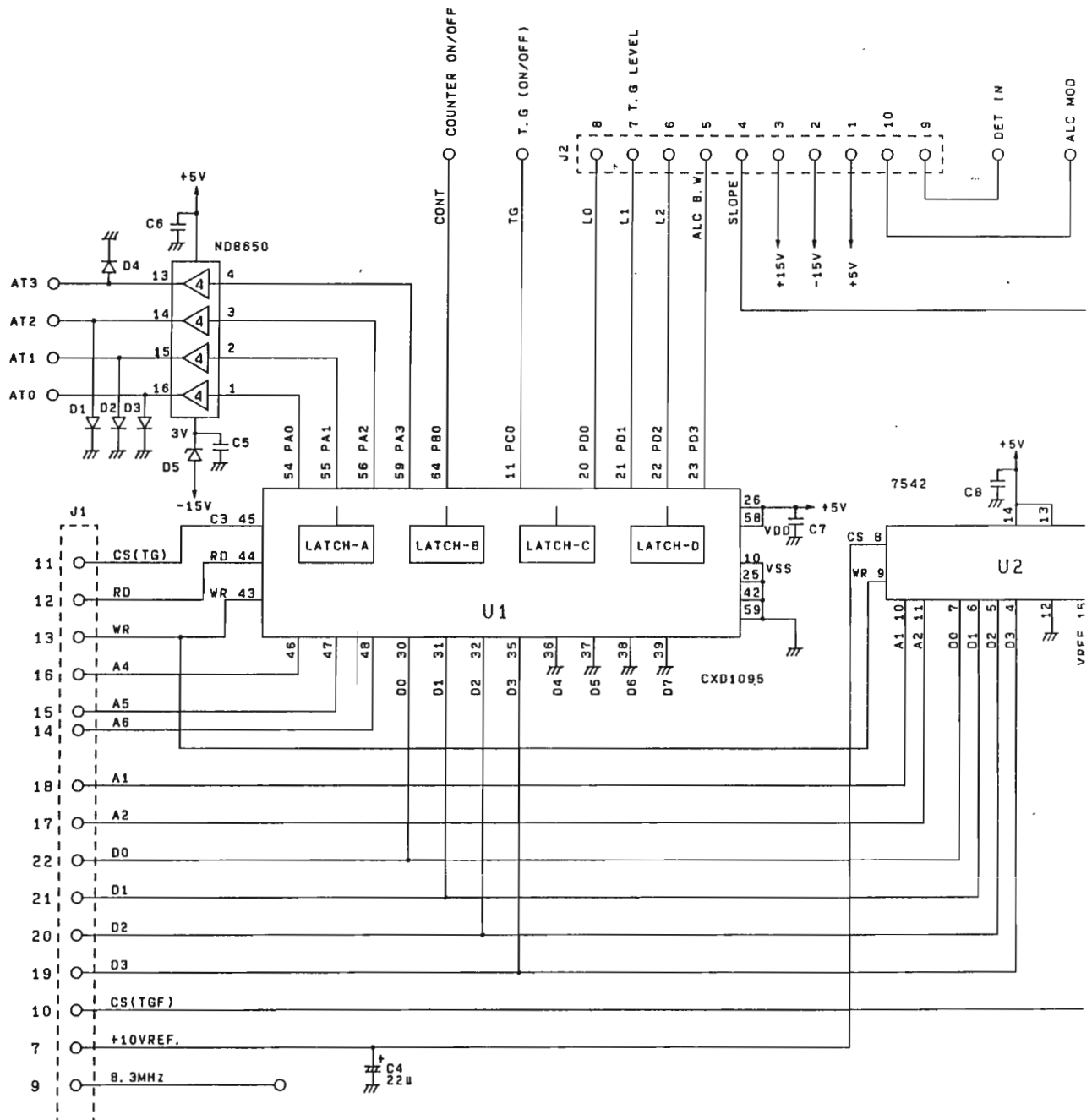
R3361 ALC CONT.
BLC-015680

R3261/3361
T.G CONT.
BLC-015681 (1/1)

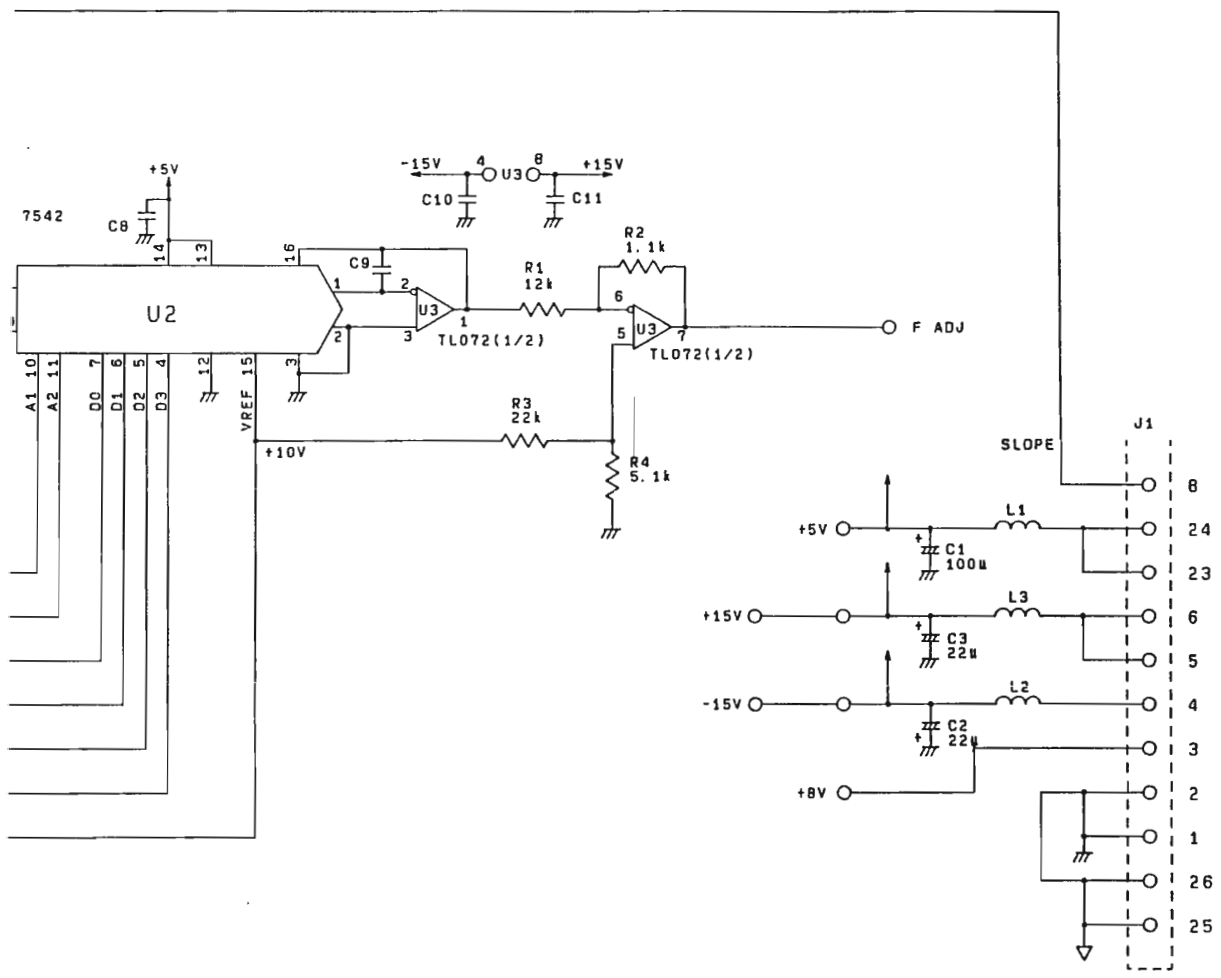
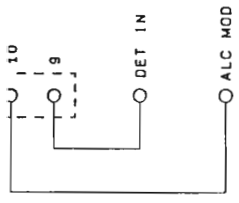
Parts No.	Avantest Stock No.	Description	Note
C1	CCK-BX100U16V	FXD ELECT 100 μ F \pm 20% 16V	
C2	CCK-BX22U25V	FXD ELECT 22 μ F \pm 20% 25V	
C5	CCP-BBR1U50V	FXD CHIP 0.1 μ F +80%, -20% 50V	
C9	CCP-AT12PR1K	FXD CHIP 12PF \pm 10% 100V	
C10	CCP-BBR1U50V	FXD CHIP 0.1 μ F +80%, -20% 50V	
D1	SDS-LS955	ULTRA-HIGH SPEED SWITCHING DIODE	
D5	SDZ-S030	ZENER DIODE	
J1	JCR-AF026PX02	CONNECTOR	
J2	JCP-AR010PX01	CONNECTOR	
L1	LCL-T00084A	COIL (CUSTOM DEVICE)	
R1	RCP-AN12K	FXD CHIP 12k Ω \pm 0.5% 1/10W	
R2	RCP-AN1R8K	FXD CHIP 1.8k Ω \pm 0.5% 1/10W	
R3	RCP-AN22K	FXD CHIP 22k Ω \pm 0.5% 1/10W	
R4	RCP-AN5R1K	FXD CHIP 5.1k Ω \pm 0.5% 1/10W	
U1	SIM-CXD1095	I/O EXPANDER	
U2	SIA-DA7542	8-BIT D/A CONVERTER	
U3	SIA-TL072CPS	OP AMP DUAL LOW NOISE	
U4	SIT-DN8650	LOW ACTIVE DRIVERS	



**CIRCUIT LAYOUT
T.G CONT.
BLC-015681**



U 1	SIM-CXD1095
U 2	SIA-DA7542
U 3	SIA-TL072CPS
U 4	SIT-DN8650



**R3361 T.G. CONT.
BLC-015681**

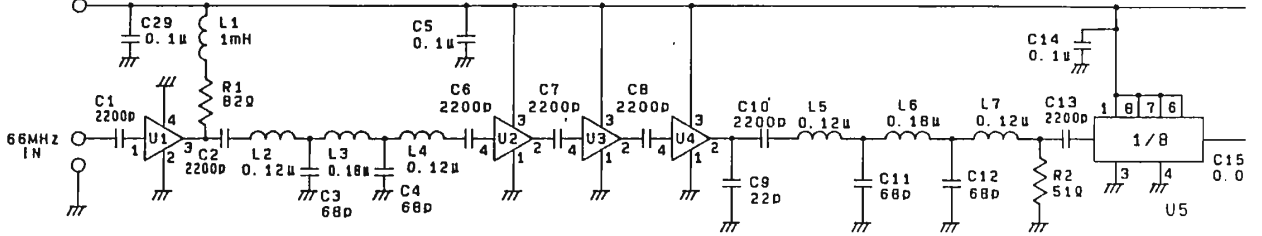
R3261/3361
TG PLL
BLD-015988 (1/2)

Parts No.	Advantest Stock No.	Description					Note
C1	CCP-BA2200P50V	FXD	CHIP	2200PF	± 20%	50V	
C3	CCP-BA68P50V	FXD	CHIP	68PF	± 5%	50V	
C5	CCP-BBR1U50V	FXD	CHIP	0.1 μ F	+80%, -20%	50V	
C6	CCP-BA2200P50V	FXD	CHIP	2200PF	± 20%	50V	
C9	CCP-BA22P50V	FXD	CHIP	22PF	± 10%	56V	
C10	CCP-BA2200P50V	FXD	CHIP	2200PF	± 20%	50V	
C11	CCP-BA68P50V	FXD	CHIP	68PF	± 5%	50V	
C13	CCP-BA2200P50V	FXD	CHIP	2200PF	± 20%	50V	
C14	CCP-BBR1U50V	FXD	CHIP	0.1 μ F	+80%, -20%	50V	
C15	CCP-ADR022U50V	FXD	CHIP	0.022 μ F	+80%, -20%	50V	
C16	CCP-BBR1U50V	FXD	CHIP	0.1 μ F	+80%, -20%	50V	
C17	CCP-ADR022U50V	FXD	CHIP	0.022 μ F	+80%, -20%	50V	
C18	CCP-BBR1U50V	FXD	CHIP	0.1 μ F	+80%, -20%	50V	
C21	CFM-AS2200P50V	FXD	FILM	2200PF	± 10%	50V	
C22	CFM-ANR1U50V	FXD	FILM	0.1 μ F	± 5%	50V	
C23	CCP-BBR1U50V	FXD	CHIP	0.1 μ F	+80%, -20%	50V	
C25	CCP-TF1U50V	FXD	CHIP	1 μ F	+80%, -20%	50V	
C26	CCK-BX100U10V	FXD	ELECT	100 μ F	± 20%	10V	
C27	CCK-BX22U25V	FXD	ELECT	22 μ F	± 20%	25V	
C29	CCP-BBR1U50V	FXD	CHIP	0.1 μ F	+80%, -20%	50V	
C31	CCP-BA18P50V	FXD	CHIP	18PF	± 10%	50V	
C32	CSM-TG1U50V	FXD	CER	1 μ F	+80%, -20%	50V	
D1	SDZ-M130	ZENER DIODE					
J1	JCP-CJ003PX01	CONNECTOR					
J2	JCP-CJ002JX01	CONNECTOR					
L1	LCL-E00952	COIL	CHIP	1 μ H	± 20%		
L2	LCL-E00941	COIL	CHIP	120nH	± 10%		
L3	LCL-E00943	COIL	CHIP	180nH	± 10%		
L4	LCL-E00941	COIL	CHIP	120nH	± 10%		
L6	LCL-E00943	COIL	CHIP	180nH	± 10%		
L7	LCL-E00941	COIL	CHIP	120nH	± 10%		
L8	LCL-T00084A	COIL (CUSTOM DEVICE)					
L9	LCL-C00010	COIL	CHIP	180 μ H	± 10%		
Q1	STN-2SC1623	TRANSISTOR NPN					
Q3	STP-2SA1204	TRANSISTOR PNP					
Q4	STN-RN1404	TRANSISTOR NPN					
Q5	STP-2SA1204	TRANSISTOR PNP					
Q7	STN-RN2401	TRANSISTOR NPN					
R1	RCP-AH82	FXD	CHIP	82 Ω	± 5%	1/8W	
R2	RCP-AJ51	FXD	CHIP	51 Ω	± 5%	1/10W	

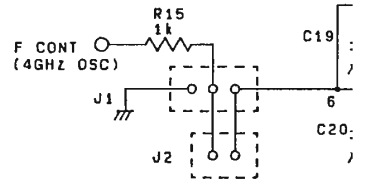
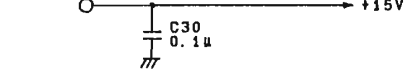
R3261/3361
TG PLL
BLD-015988 (2/2)

Parts No.	Advantest Stock No.	Description	Note
R3	RCP-AJ1K	FXD CHIP 1k Ω \pm 5% 1/10W	
R4	RCP-AH470	FXD CHIP 470 Ω \pm 5% 1/8W	
R5	RCB-AK1K	FXD CAR 1k Ω \pm 5% 1/2W	
R6	RCP-AJ1K	FXD CHIP 1k Ω \pm 5% 1/10W	
R9	RCP-AH470	FXD CHIP 470 Ω \pm 5% 1/8W	
R10	RCP-AJ1R8K	FXD CHIP 1.8k Ω \pm 5% 1/10W	
R11	RCP-AJ10K	FXD CHIP 10k Ω \pm 5% 1/10W	
R12	RCP-AJ4R7K	FXD CHIP 4.7k Ω \pm 5% 1/10W	
R15	RCP-AJ1K	FXD CHIP 1k Ω \pm 5% 1/10W	
U1	SIA-MAR6	MONOLITHIC AMPLIFIER 2GHz	
U2	SIA-1675	Bipolar Analog IC 1GHz Amp	
U5	SIC-555	LOW POWER 2-MODULUS PRESCALER	
U6	SIA-OP07P	OP AMP ULTRA-LOW OFFSET	
U7	SHB-001510	CUSTOM DEVICE	
U8	SIM-74HC00	QUAD 2 INPUT POSI-NAND	
X1	DXC-001669	CRYSTAL	

(T. G SAMPLER)

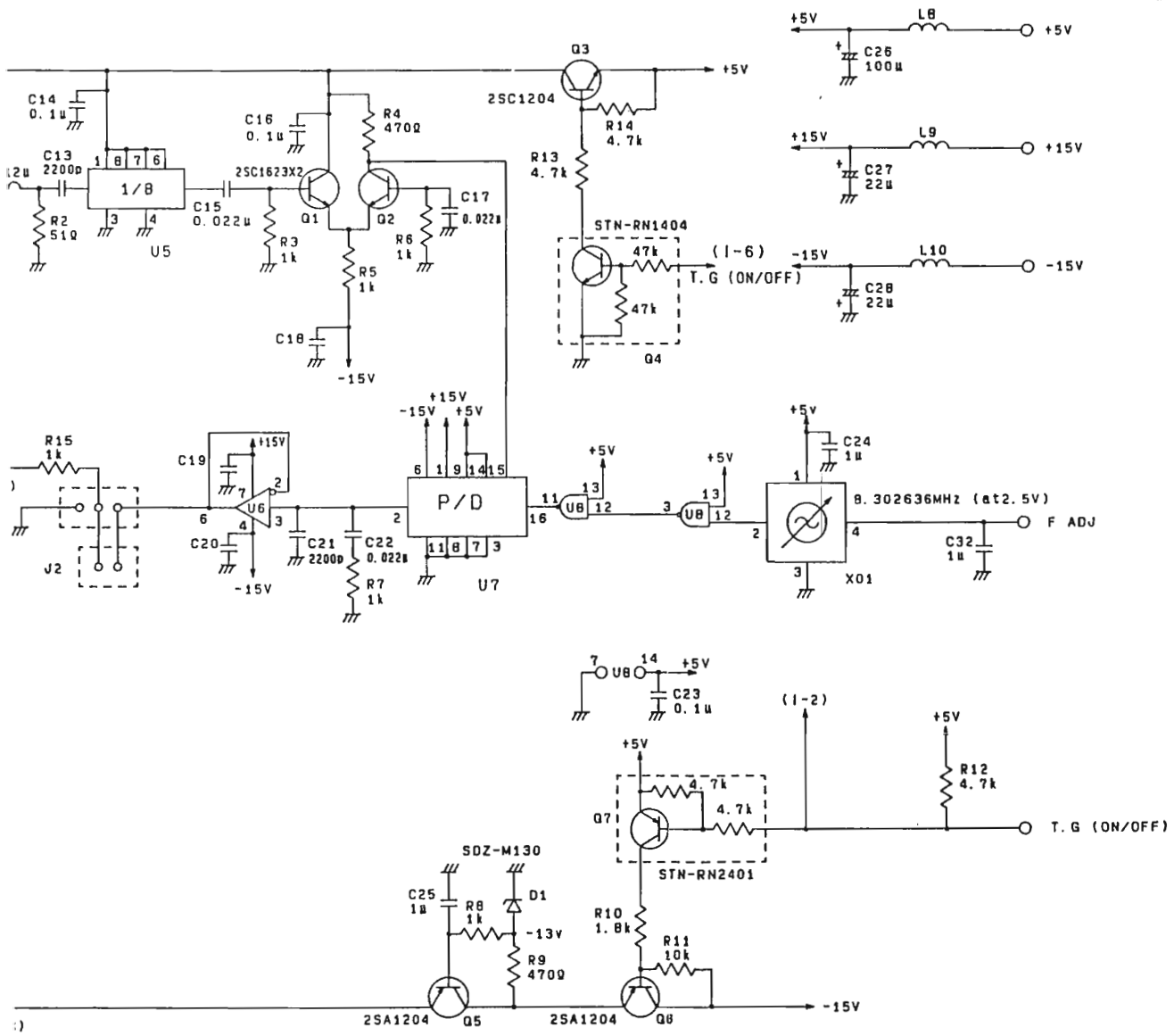


(T. G SAMPLER)



-12V (4GHz OSC)

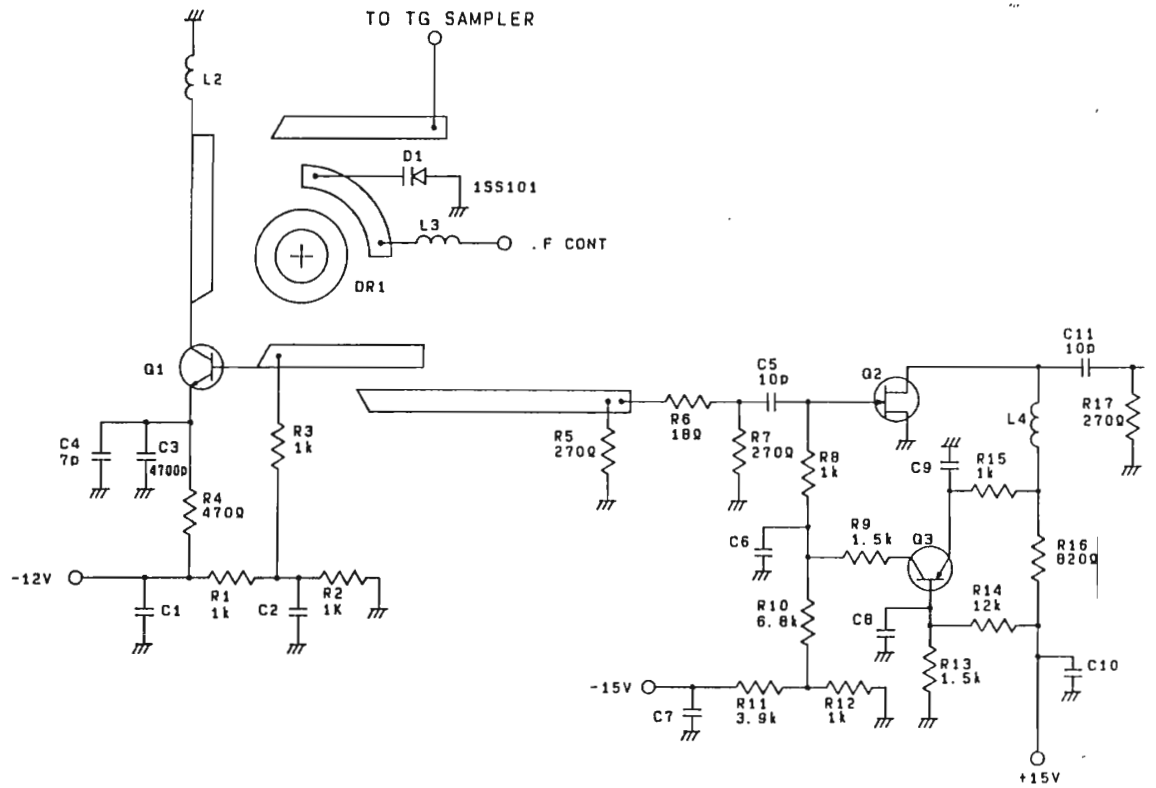
U 1	SIA-MAK6
U 2~4	SIA-1675
U 5	SIC-555
U 6	SIA-OP07P
U 7	SHB-001510
U 8	SIM-74HC00
X01	DXC-001669



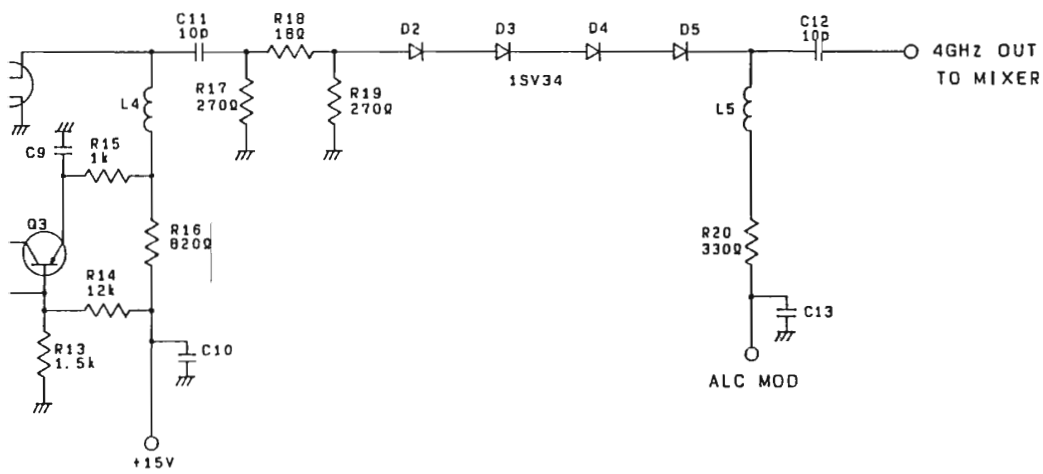
R3361 TG PLL
BLD-015988

**R3261/3361
4GHZ OSC
BTB-015676 (1/1)**

Parts No.	Advantest Stock No.	Description					Note
C1	CCP-BAR01U50V	FXD	CHIP	0.01 μ F	\pm 10%	50V	
C3	CCP-BA4700P50V	FXD	CHIP	4700PF	\pm 10%	50V	
C4	CCP-AT7PR1K	FXD	CHIP	7PF	\pm 0.5PF	100V	
C5	CCP-BA10P50V	FXD	CHIP	10PF	\pm 0.5PF	50V	
C6	CCP-BAR01U50V	FXD	CHIP	0.01 μ F	\pm 10%	50V	
C11	CCP-BA10P50V	FXD	CHIP	10PF	\pm 0.5PF	50V	
C12	CCP-BA10P50V	FXD	CHIP	10PF	\pm 0.5PF	50V	
C13	CCP-BAR01U50V	FXD	CHIP	0.01 μ F	\pm 10%	50V	
D1	SDS-1SS101	Si SCHOTTKY BARRIER DIODE					
D2	SDS-1SV34	Si PIN DIODE					
DR1	DXD-001691	DR	4GHz				
L2	LCL-A00773	COIL	(CUSTOM DEVICE)				
L3	LCL-A00772	COIL	(CUSTOM DEVICE)				
L4	LCL-A00671	COIL	(CUSTOM DEVICE)				
Q1	STN-2SC4095	TRANSISTOR	PNP				
Q2	SFN-2SK878	Al Ga As/Ga As	N Channel HEMT				
Q3	STP-2SA1162	TRANSISTOR	PNP				
R1	RCP-AJ1K	FIX	CHIP	1k Ω	\pm 5%	1/10W	
R3	RCP-AJ1K	FIX	CHIP	1k Ω	\pm 5%	1/10W	
R4	RCB-AH470	FIX	CHIP	470 Ω	\pm 5%	1/8W	
R5	RCP-AJ270	FIX	CHIP	270 Ω	\pm 5%	1/10W	
R6	RCP-AJ18	FIX	CHIP	18 Ω	\pm 5%	1/10W	
R7	RCP-AJ270	FIX	CHIP	270 Ω	\pm 5%	1/10W	
R8	RCP-AJ1K	FIX	CHIP	1k Ω	\pm 5%	1/10W	
R9	RCP-AJ1R5K	FIX	CHIP	1.5k Ω	\pm 5%	1/10W	
R10	RCP-AJ6R8K	FIX	CHIP	6.8k Ω	\pm 5%	1/10W	
R11	RCP-AJ3R9K	FIX	CHIP	3.9k Ω	\pm 5%	1/10W	
R12	RCP-AJ1K	FIX	CHIP	1k Ω	\pm 5%	1/10W	
R13	RCP-AJ1R5K	FIX	CHIP	1.5k Ω	\pm 5%	1/10W	
R14	RCP-AJ12K	FIX	CHIP	12k Ω	\pm 5%	1/10W	
R15	RCP-AJ1K	FIX	CHIP	1k Ω	\pm 5%	1/10W	
R16	RCB-AQ820	FIX	CAR	820 Ω	\pm 5%	1/4W	
R17	RCP-AJ270	FIX	CHIP	270 Ω	\pm 5%	1/10W	
R18	RCP-AJ18	FIX	CHIP	18 Ω	\pm 5%	1/10W	
R19	RCP-AJ270	FIX	CHIP	270 Ω	\pm 5%	1/10W	
R20	RCB-AQ330	FIX	CAR	330 Ω	\pm 5%	1/4W	



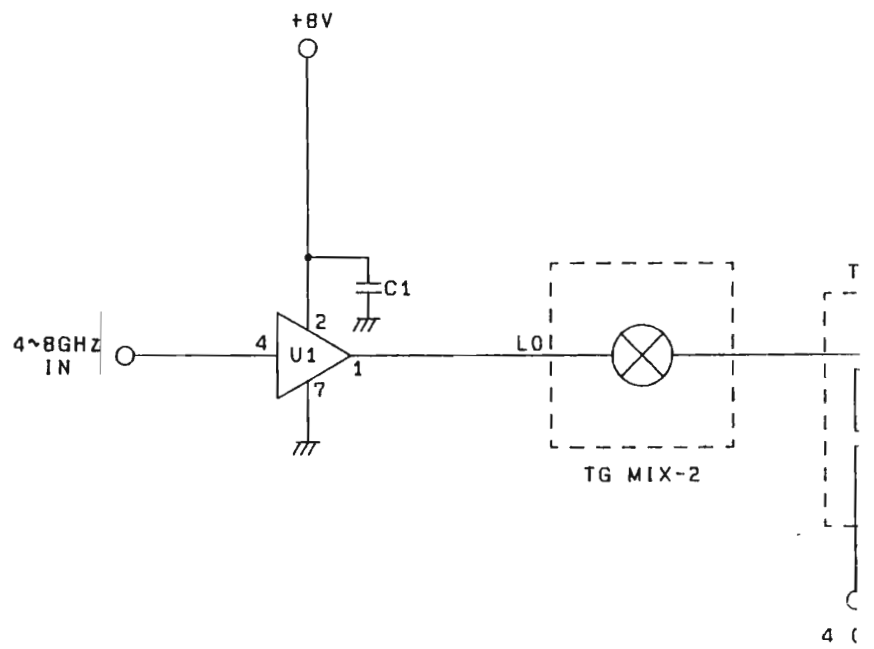
DR1	DXD-001691
C 1, 2 6-10 13	CCP-ACR01U50V
Q 1 Q 2 Q 3	STN-2SC4095 SFN-2SK878 STP-2SA1162
D 1 D 2-5	SDS-15S101 SDS-15V34



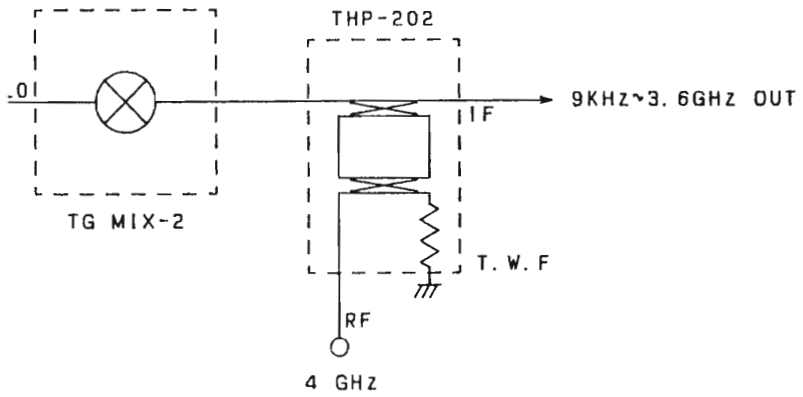
R3361 4GHz OSC
BTB-015676

R3261/3361
TG MIX-1
BTB-015722 (1/1)

Parts No.	Advantest Stock No.	Description	Note
C1 U1	CCP-BBR1U50V SIA-S9706*14	FXD CHIP 0.1 μ F +80%, -20% 50V Ga As MMIC AMP	



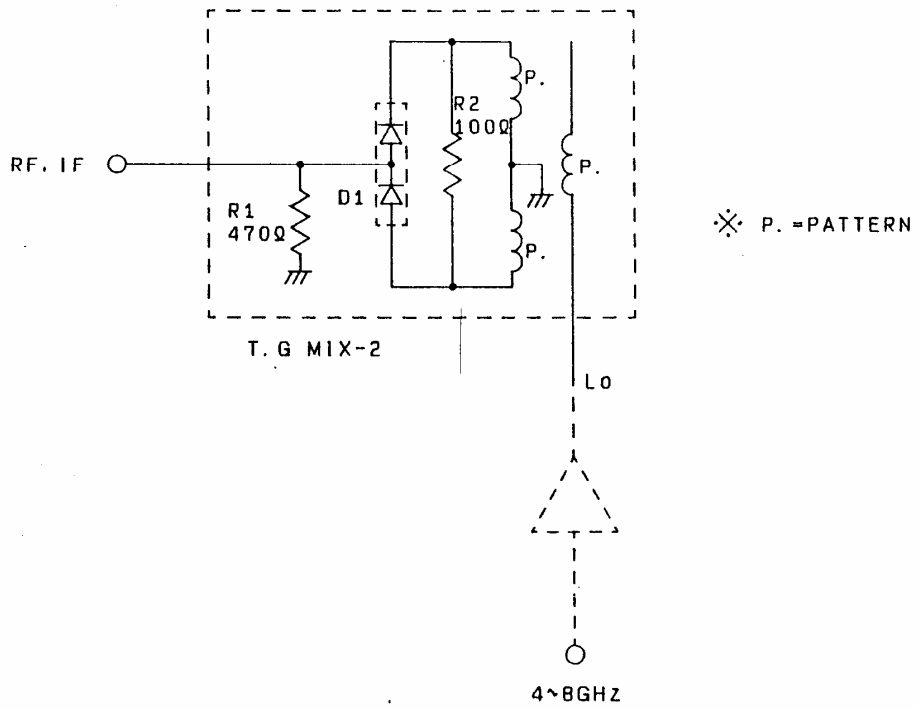
U 1	S1A-S9706*14



R3361 TG MIX-1
 BTB-015722

R3261/3361
TG MIX-2
BTB-015723 (1/1)

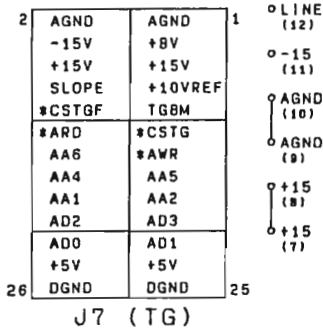
Parts No.	Advantest Stock No.	Description	Note
D1	SDS-MA4E204L2	SCHOTTKY BEAM-LEAD TEE	
R1	RCP-AH470	FXD CHIP 470Ω ±5% 1/8W	
R2	RCP-AH100	FXD CHIP 100Ω ±5% 1/8W	



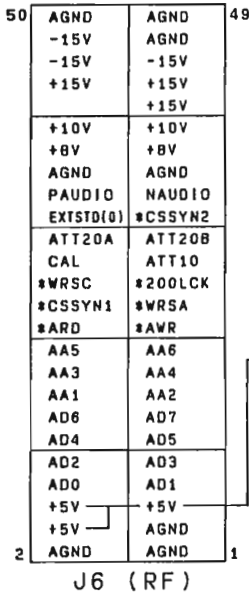
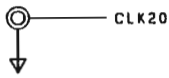
R3361 TG MIX-2
BTB-015723

**R3261/3361
MOTHER
BLH-015674 (1/1)**

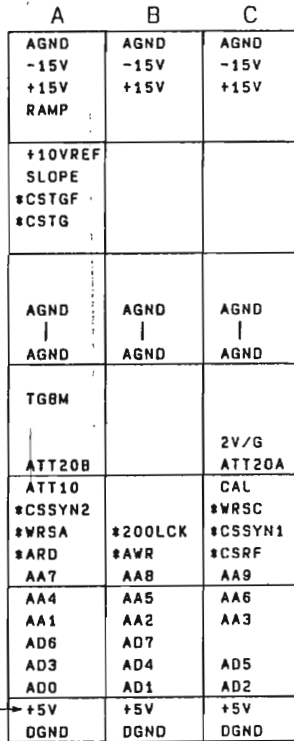
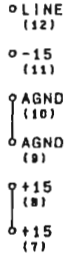
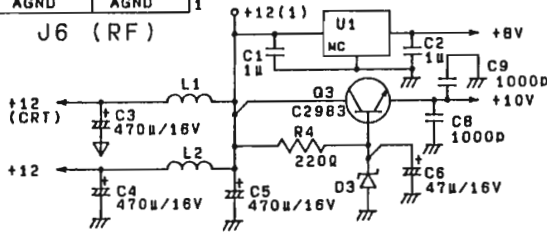
Parts No.	Advantest Stock No.	Description	Note
C1	CSM-TG1U50V	FXD CER 1 μ F +80%, -20% 50V	
C2	CSM-TG1U50V	FXD CER 1 μ F +80%, -20% 50V	
C3	CCK-CV470U16V	FXD ELECT 470 μ F \pm 20% 16V	
C4	CCK-CV470U16V	FXD ELECT 470 μ F \pm 20% 16V	
C6	CCK-BX47U35V	FXD ELECT 47 μ F \pm 20% 35V	
C7	CSM-TG1U50V	FXD CER 1 μ F +80%, -20% 50V	
C8	CSM-AZ1000P50V	FXD CER 1000PF \pm 10% 50V	
C9	CSM-AZ1000P50V	FXD CER 1000PF \pm 10% 50V	
D1	SDZ-W050	ZENER DIODE	
D2	SDZ-W050	ZENER DIODE	
D3	SDZ-W110	ZENER DIODE	
J1	JCS-BQ096JX01	CONNECTOR	
J2	JCS-BQ128JX01	CONNECTOR	
J3	JCS-BQ096JX01	CONNECTOR	
J6	JCR-AF050PX01	CONNECTOR	
J7	JCR-AF026PX01	CONNECTOR	
J8	DCB-RR0800X02-1	CABLE ASSEMBLY	
J9	JCF-AC001JX06	CONNECTOR	
J10	DCB-QS3239X05-1	CABLE ASSEMBLY	
J11	JCP-AA012PX07	CONNECTOR	
J12	JCS-BZ002PX02	CONNECTOR	
J13	JCR-AF016PX02	CONNECTOR	
L1	LCL-T00084A	COIL (CUSTOM DEVICE)	
L2	LCL-T00084A	COIL (CUSTOM DEVICE)	
L3	LCL-B00811	COIL 1.5 μ H \pm 10%	
Q1	STP-2SA642-33	TRANSISTOR PNP	
Q2	STN-RN1002	TRANSISTOR NPN	
Q3	STN-2SC2983	TRANSISTOR NPN	
R1	RAY-AL10K6	FXD RA 10k Ω \times 6 \pm 5%	
R2	RCB-AG470	FXD CAR 470 Ω \pm 5% 1/6W	
R3	RCB-AG470	FXD CAR 470 Ω \pm 5% 1/6W	
R4	RCB-AG220	FXD CAR 220 Ω \pm 5% 1/6W	
R5	RCB-AG560	FXD CAR 560 Ω \pm 5% 1/6W	
R6	RCB-AG330	FXD CAR 330 Ω \pm 5% 1/6W	
R7	RCB-AG10K	FXD CAR 10k Ω \pm 5% 1/6W	
U1	SIA-7808U	Voltage Regulator 8V	
U2	SIM-74HC05S	HEX INVERTERS OPEN-COLLECTOR OUTPUT	
U3	SMM-8464CS	8k WORD \times 8-BIT STATIC RAM	
U4	SMM-8464CS	8k WORD \times 8-BIT STATIC RAM	
U5	SIM-74HC138S	3 TO 8 LINE DECODERS/DEMULPLEXRS	



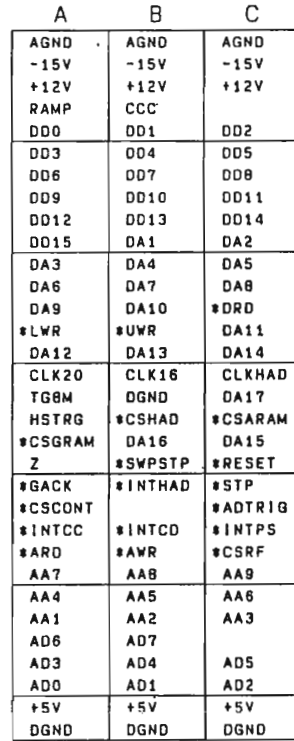
J7 (TG)



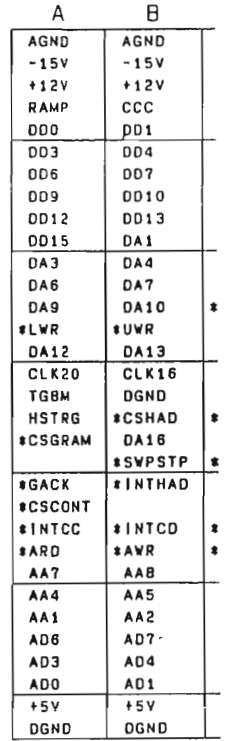
J6 (RF)



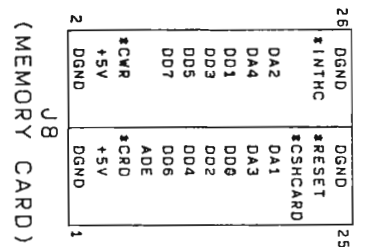
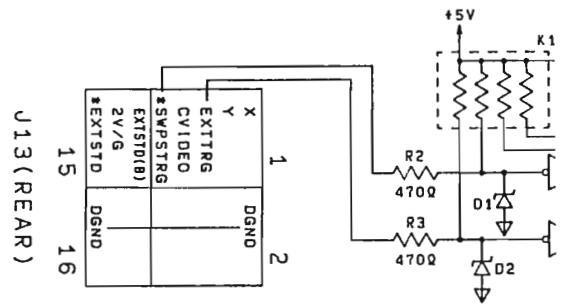
J5 (RF CONT)



J4 (A/D)

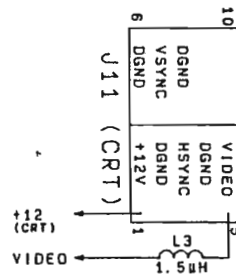


J3 (CONTROL)



Land meaning
• • • • • a connection
/// Plot grand

26	DGND	*INTHC	DGND	*RESET	25
	DA2	DA1	DA1	*CSHCARD	
	DA4	DA3	DA3		
	DD1	DD0	DD0		
	DD3	DD2	DD2		
	DD5	DD4	DD4		
	DD7	DD6	DD6		
	*CWR	ADE	ADE	*CRD	
	+5V	+5V			



A	B	C
AGND	AGND	AGND
-15V	-15V	-15V
+12V	+12V	+12V
RAMP	CCC	DD2
DD0	DD1	DD2
DD3	DD4	DD5
DD6	DD7	DD8
DD9	DD10	DD11
DD12	DD13	DD14
DD15	DA1	DA2
DA3	DA4	DA5
DA6	DA7	DA8
DA9	DA10	*DRD
*LWR	*UWR	DA11
DA12	DA13	DA14
CLK20	CLK16	CLKHAD
TGBM	DGND	DA17
HSTRG	*CSHAD	*CSARAM
*CSGRAM	DA16	DA15
	*SWPSTP	*RESET
*GACK	*INTHAD	
*CSCONT	*INTCD	*INTPS
*INTCC	*INTCD	*INTPS
*ARD	*AWR	*CSRF
AA7	AA8	AA9
AA4	AA5	AA6
AA1	AA2	AA3
AD6	AD7	
AD3	AD4	AD5
AD0	AD1	AD2
+5V	+5V	+5V
DGND	DGND	DGND

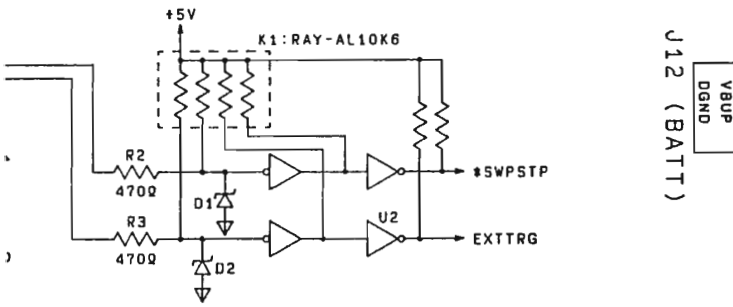
J3 (CONTROLLER)

A	B	C	D
AGND	AGND	AGND	AGND
-15V	-15V	-15V	-15V
+12V	+12V	+12V	+12V
RAMP	CCC	*CSMCARD	HSYNC
DD0	DD1	DD2	VSYNC
DD3	DD4	DD5	VIDEO
DD6	DD7	DD8	*INTMC
DD9	DD10	DD11	ADE
DD12	DD13	DD14	*CWR
DD15	DA1	DA2	*CRD
DA3	DA4	DA5	DA17
DA6	DA7	DA8	DA16
DA9	DA10	*DRD	DA15
*LWR	*UWR	DA11	*CSAD
DA12	DA13	DA14	*CSRAMP
CLK20	CLK16	CLKHAD	
TGBM	DGND	*ADCS	*ADWE
HSTRG	*CSHAD	*CSARAM	*ADRD
*CSGRAM	*BR	*BG	*BGACK
*EXTSTO	*SWPSTP	*RESET	AP
*GACK	*INTHAD	*INTAD	*CSLOG
*CSCONT	*INTSE	BP	*CSIF
*INTCC	*INTCD	*INTPS	Z
*ARD	*AWR	*CSRF	*CSBRAM
AA7	AA8	AA9	
AA4	AA5	AA6	CVIDEO
AA1	AA2	AA3	
AD6	AD7		
AD3	AD4	AD5	
AD0	AD1	AD2	
+5V	+5V	+5V	+5V
DGND	DGND	DGND	DGND

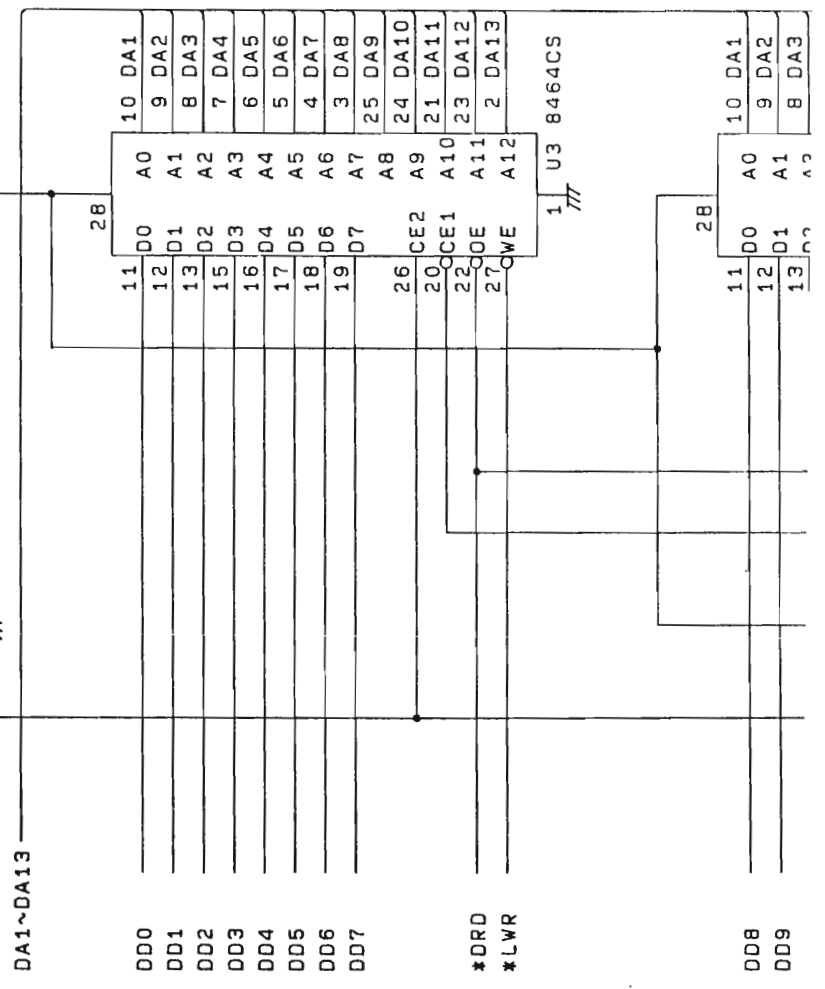
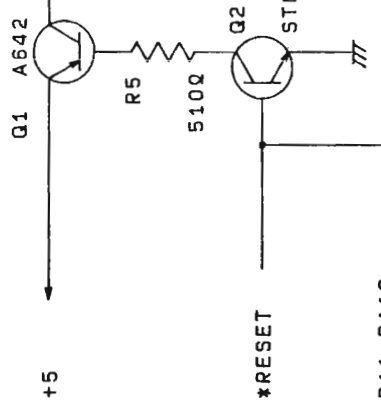
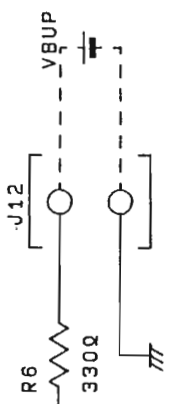
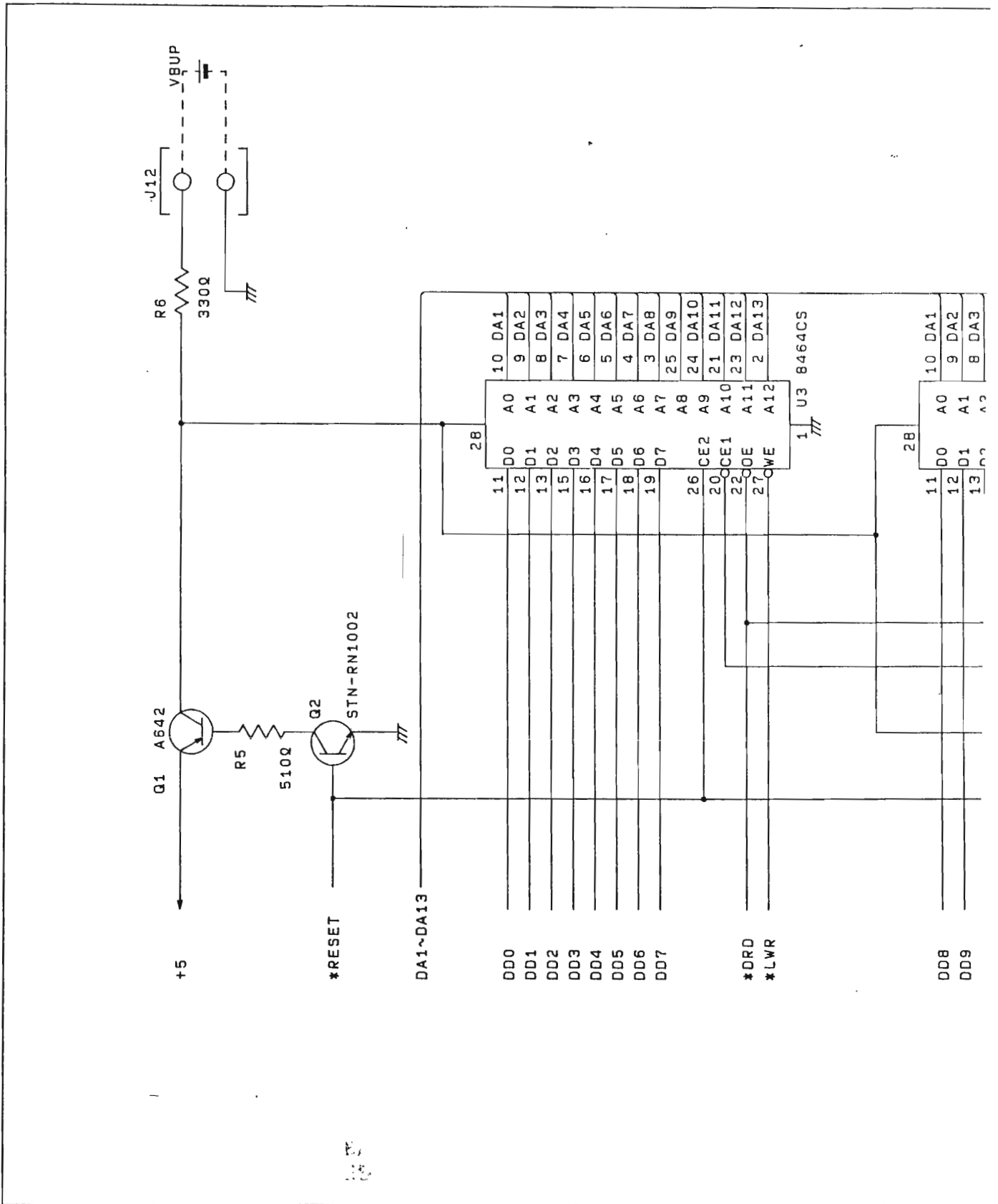
J2 (CPU)

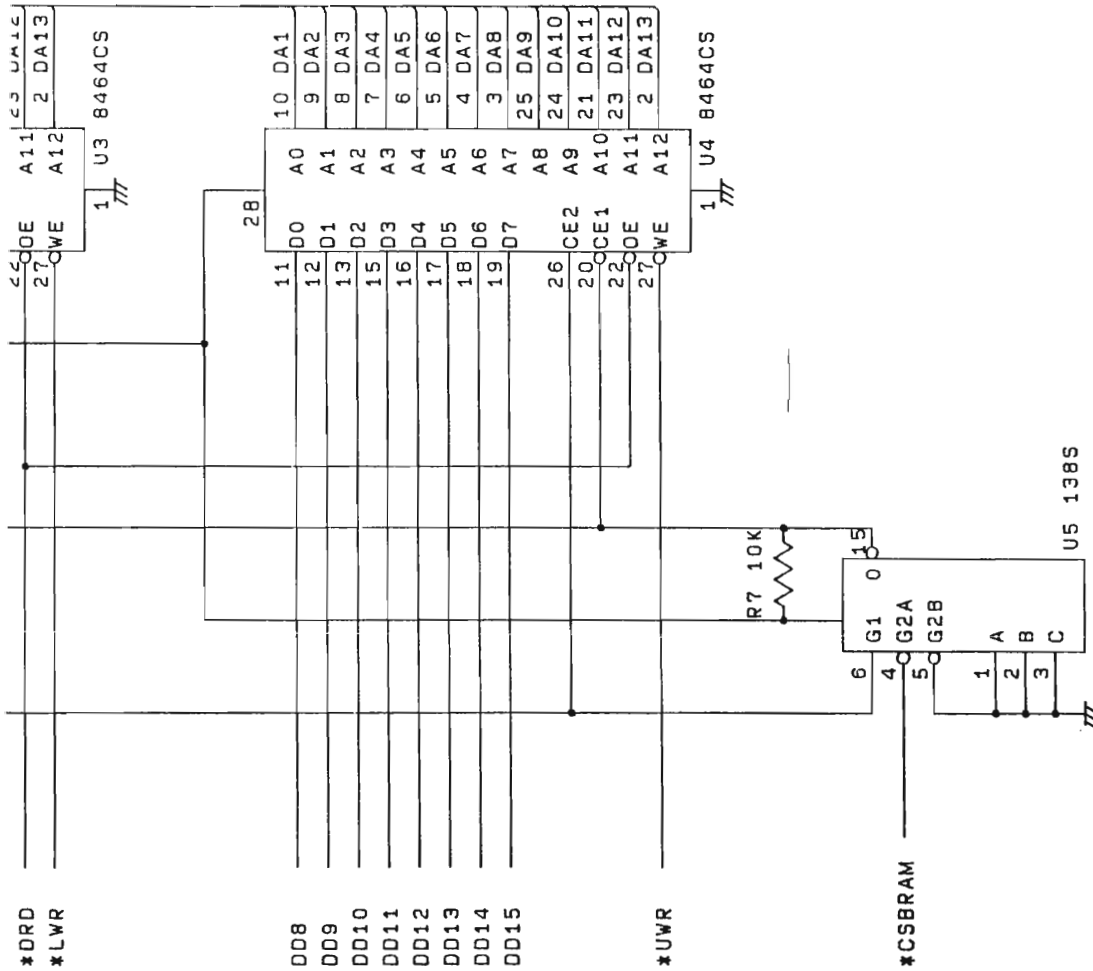
C	B	A
AGND	AGND	AGND
-15V	-15V	-15V
+15V	+15V	+15V
RAMP	PAUDIO	NAUDIO
DD0	DD1	DD2
DD3	DD4	DD5
DD6	DD7	DD8
DD9	DD10	DD11
DD12	DD13	DD14
DD15	DA1	DA2
DA3	DA4	DA5
DA6	DA7	DA8
DA9	DA10	*DRD
*LWR	*UWR	
*CSAD	*CSRAMP	*ADTRIG
CLK20	DGND	CLKHAD
*ADCS	*ADWE	LINE
HSTRG	*G	*ADRD
*BR	*RESET	*BGACK
*SWPSTP		AP
*STP	*INTAD	*CSLOG
*INTSE	BP	*CSIF
Z	EXTTRG	Y
*ARD	*AWR	X
AA7	AA8	AA9
AA4	AA5	AA6
AA1	AA2	AA3
AD6	AD7	
AD3	AD4	AD5
AD0	AD1	AD2
+5V	+5V	+5V
DGND	DGND	DGND

J1 (ANALOG)



R3261 MOTHER
BLH-015674 1/2

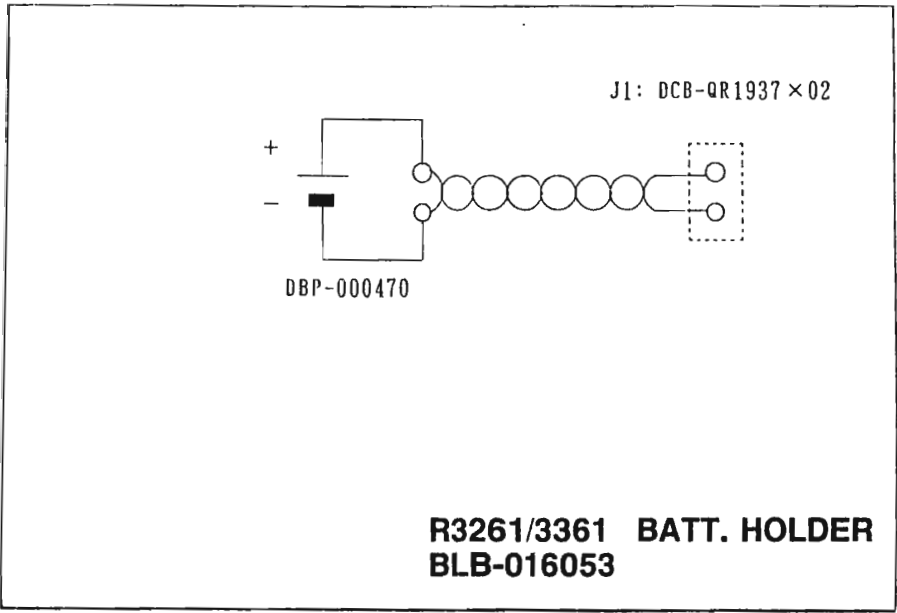




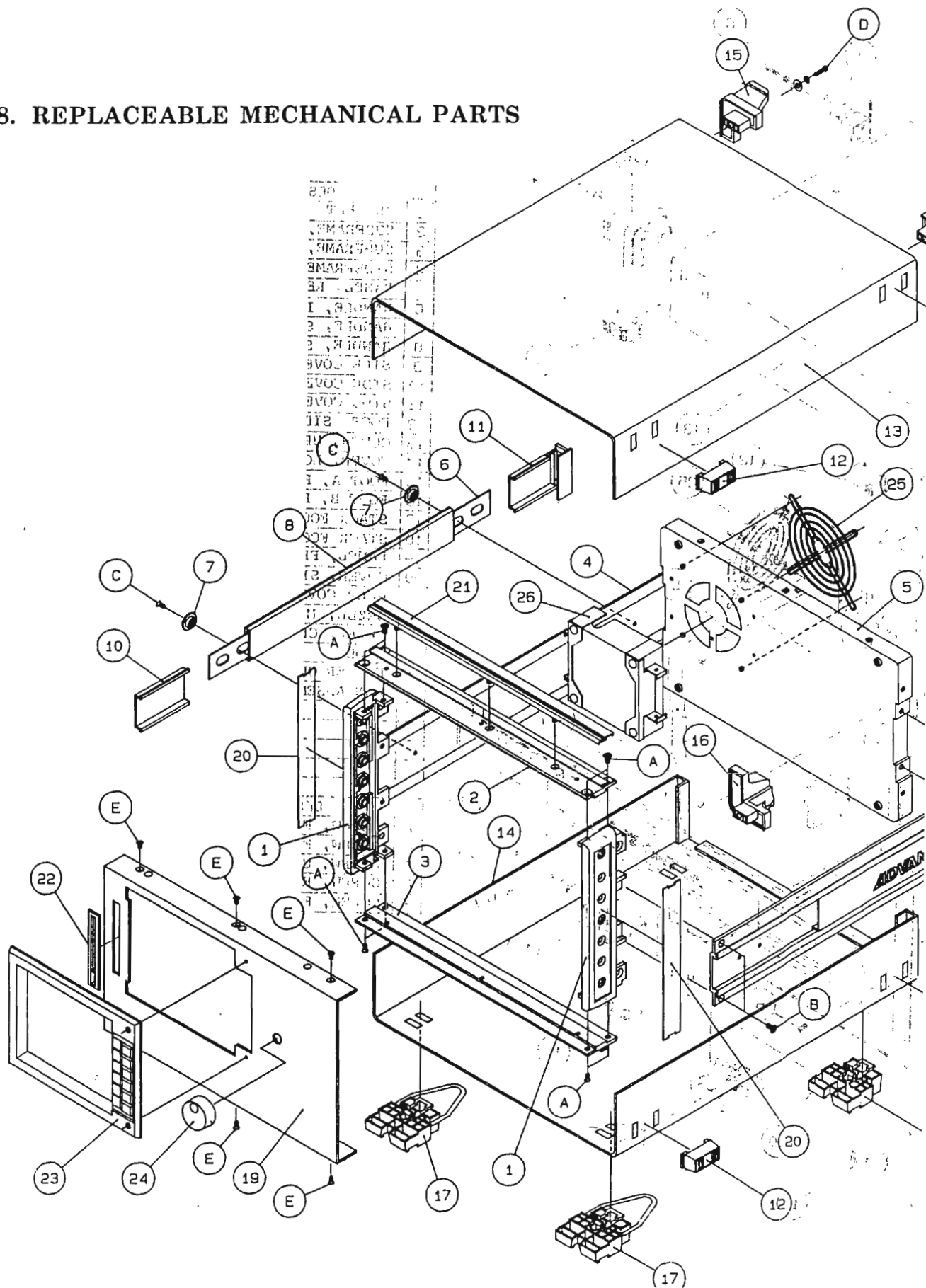
R3261 MOTHER
BLH-015674 2/2

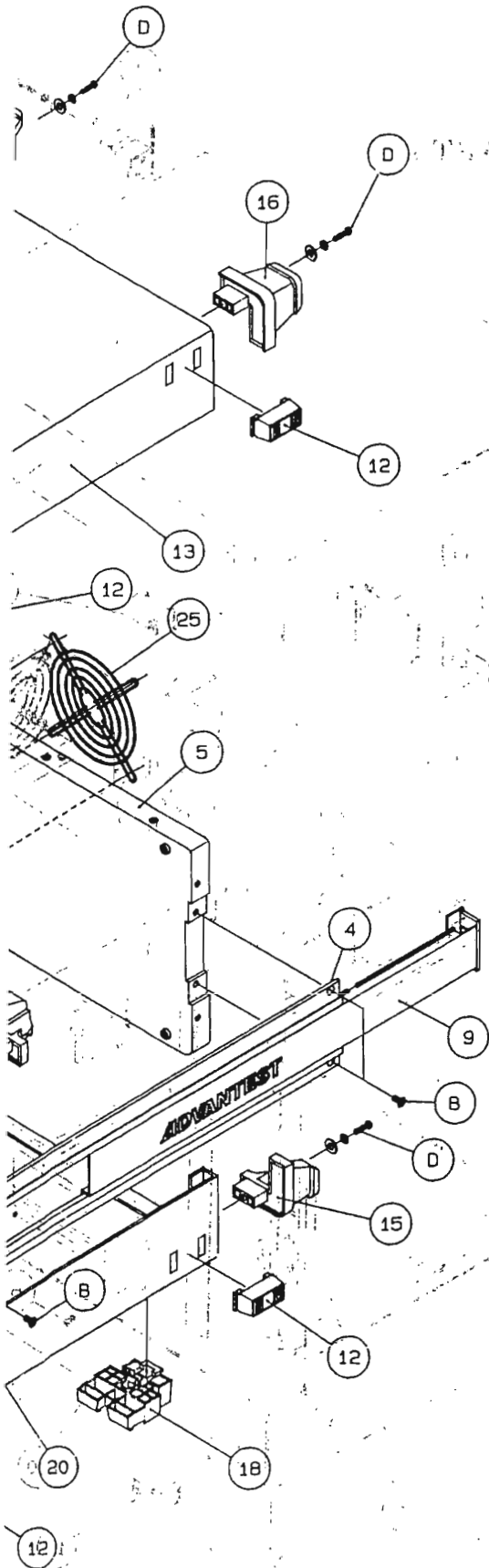
R3261/3361
BATT. HOLDER
BLB-016053 (1/1)

Parts No.	Advantest Stock No.	Description	Note
	DBP-000470 DCB-QR1937X02-1	Ni-cd BATTERY CABLE ASSEMBLY	



8. REPLACEABLE MECHANICAL PARTS

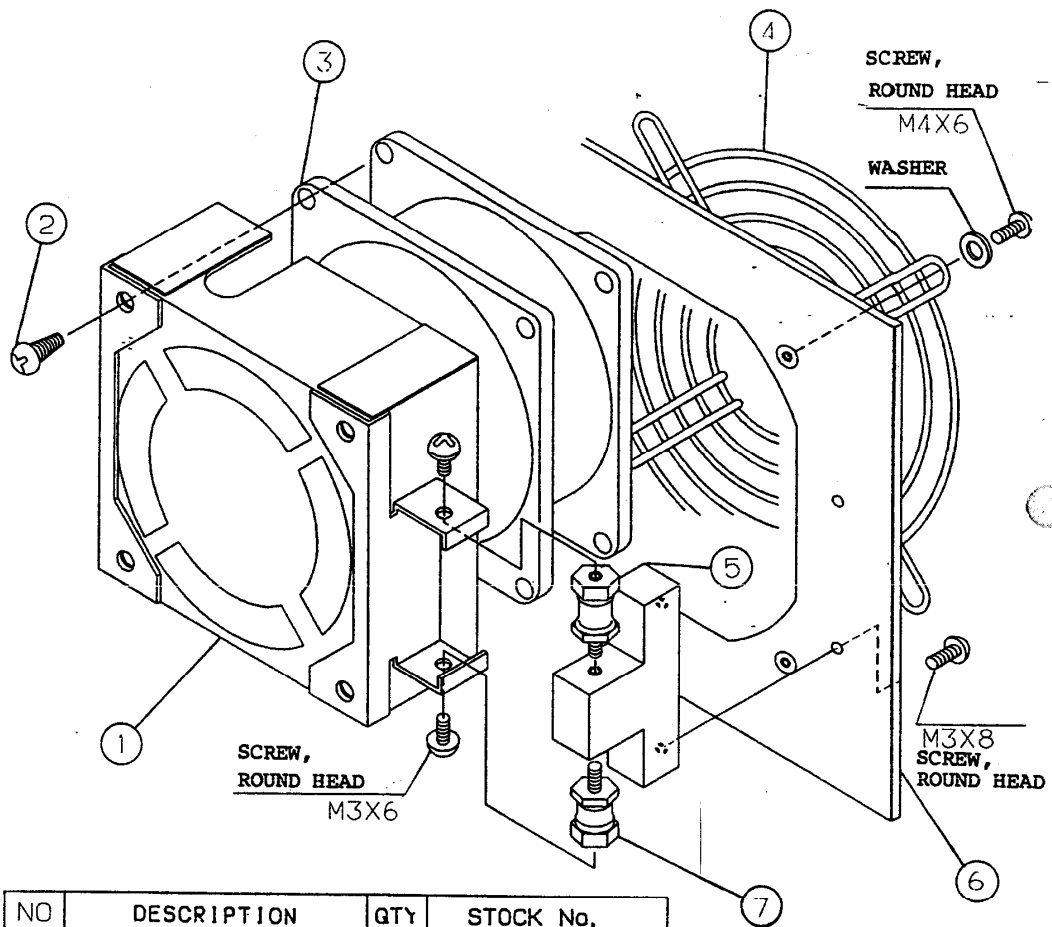




ADVANTEST

No.	DESCRIPTION	STOCK No.	QTY
1	BRACKET	MCT-55609A	2
2	SUBFRAME, UPPER	MHE-61712	1
3	SUBFRAME, LOWER	MHE-61713	1
4	SIDEFAME	MHT-61471	2
5	PANEL, REAR	MCT-58898A	1
6	HANDLE, INNER	MBE-57474A	1
7	HANDLE, SPACER	MKX-32181A	2
8	HANDLE, SLEEVE	MPS-57469A001A	1
9	SIDE COVER, DECORATIVE	MPS-54301A001A	1
10	SIDE COVER, FRONT	MPX-57551A	1
11	SIDE COVER, REAR	MPX-57552A	1
12	FOOT, SIDE	MMX-20403A	4
13	COVER, UPPER	MBX-58917B	1
14	COVER, LOWER	MBX-58918B	1
15	FOOT A, REAR	MMX-54288A	2
16	FOOT B, REAR	MMX-54289A	2
17	STACK FOOT A	MEX-57550A	2
18	STACK FOOT B	MEX-54287A	2
19	PANEL, FRONT	MBS-59689A	1
20	COVER, SIDE BELT	MBX-55737A	2
21	BELT COVER	MPX-59711A	1
22	BEZEL, MEMORY CARD	MMX-61756A	1
23	BEZEL, CRT	MMX-59742A	1
24	KNOB	MMX-54164A	1
25	FINGER GUARD	YEE-000271	1
26	FAN ASSEMBLY	WK4-8110703	1

No.	DESCRIPTION	SIZE	QTY
A	SCREW, FLAT HEAD	M4X8	8
B	SCREW, FLAT HEAD	M4X6	8
C	SCREW, UNLOOSEN PROCESS	M4X8	2
D	SCREW, ROUND HEAD	M4X30	4
E	SCREW, FLAT HEAD	M3X6	6



NO	DESCRIPTION	QTY	STOCK No.
1	FAN SHIELD	1	MBE-32047
2	SELF TAPPING SCREW	3	YKG-V01508
3	FAN	(1)	DMF-001006
4	FINGER GUARD	1	YEE-000271
5	FAN SUPPORT C	2	MKJ-32046
6	REAR PANEL	1	MCT-58898
7	RUBBER CUSHION	4	YEE-001489